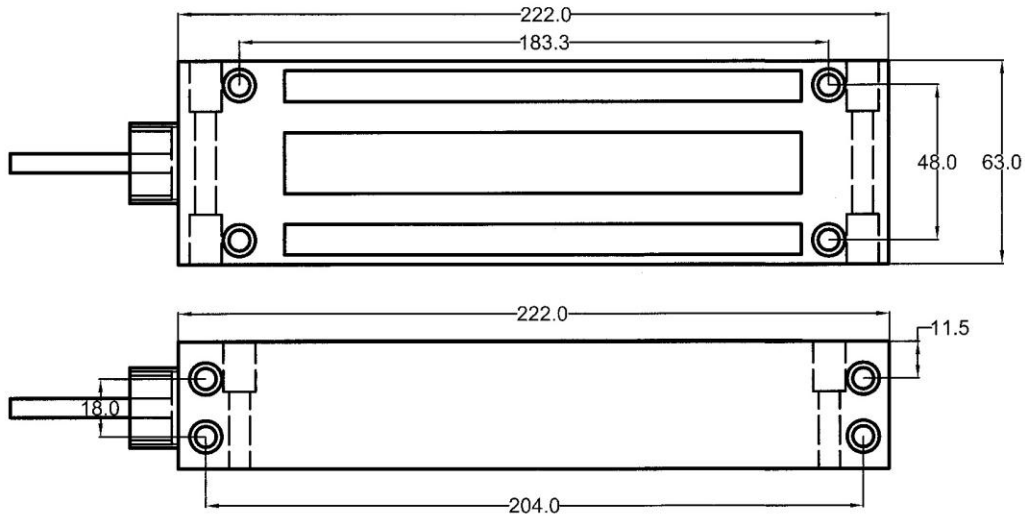
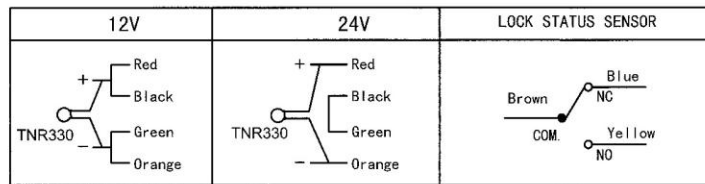


# AEMGATE/F/S External Gate Magnet - Fitting instructions



## WIRING INSTRUCTION: READ CAREFULLY

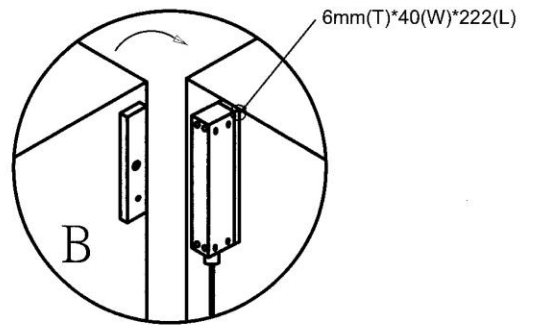
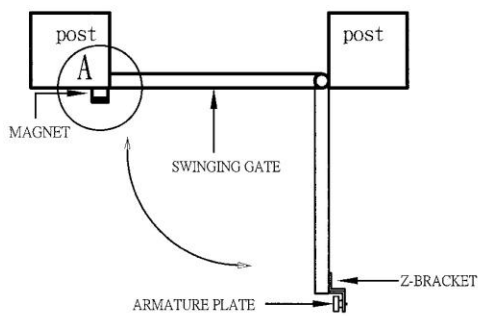
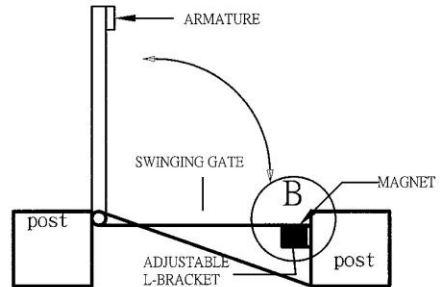
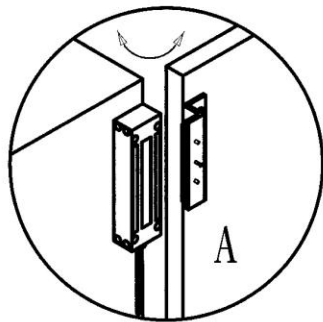
- (1) For 12V: Connect the red/black wires, green/orange wires and connect 12V source.
- (2) For 24v: Short black/green wires and connect red and orange ones to 24V source.
- (3) Reed switch dry contacts are rated max 3W (max switching contact 0.25A) at 30VDC/AC for safe operation. Do not exceed this rating.



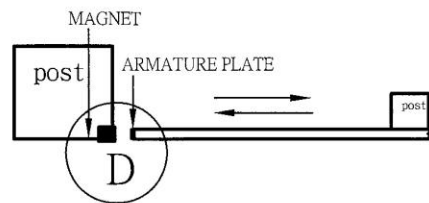
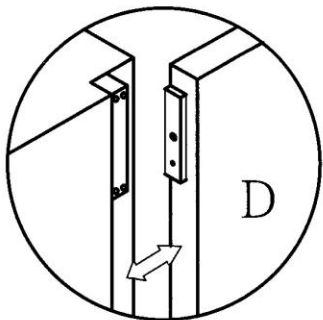
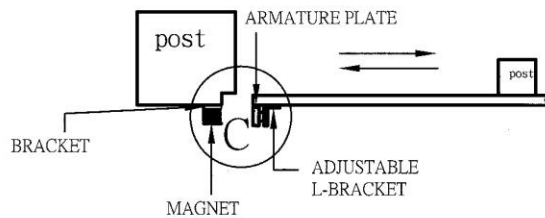
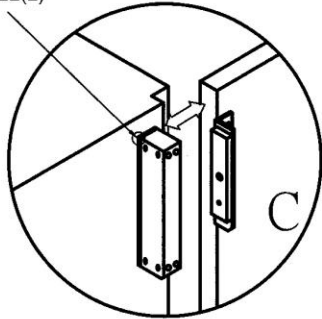
Picture	Quantity	Specification	SERIES
	1	ALUM SPACER 43L*16OD*12.8IDmm	
	1	ALLEN KEY 5mm	
	2	STEEL WASHER 22mm DIA	
	1	ARMATURE BOLT RECEIVER M8*41mm	
	1	ARMATURE BOLT M8*45mm W/RUBBER	
	2	GUIDE PIN 5*16mm	
	4	M6*50mm FIXING SCREW (NYLOCKED)	
	1	TNR330	
	1	RUBBER WASHER 15(OD)*9(ID)*4(H)mm	
	4	STEEL WASHER 10mm DIA	
	8	Rubber T=5mmOD=10.5	
	4	M6*30mm FIXING SCREW (NYLOCKED)	

\*included in fixed pack and must be fitted if pcb supplied by others

# Mounting Installation Series Magnetic Locking Devices



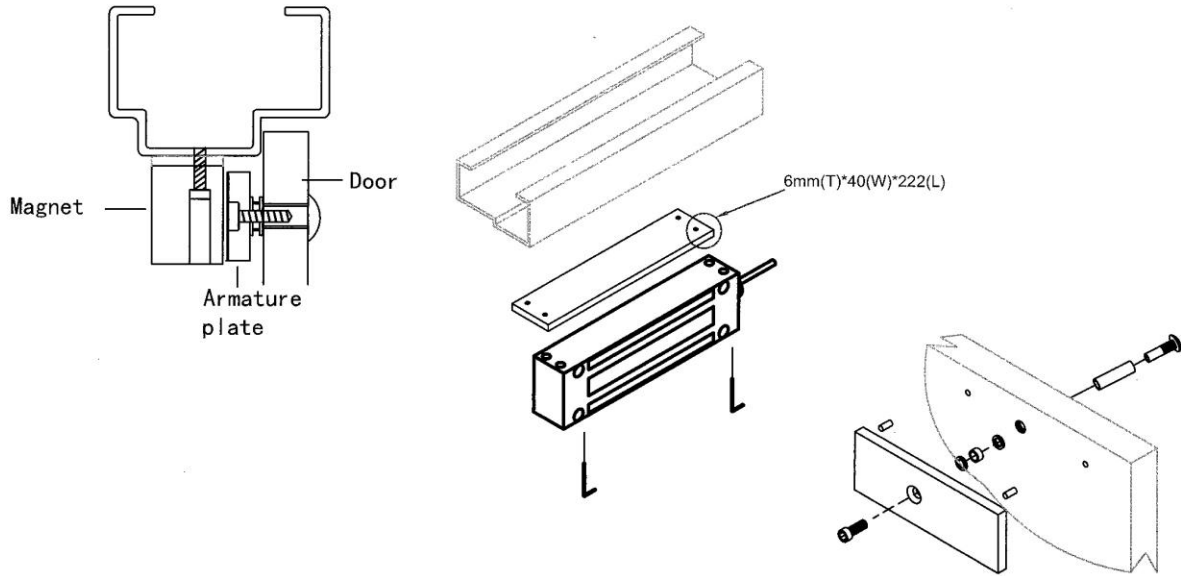
6mm(T)\*40(W)\*222(L)



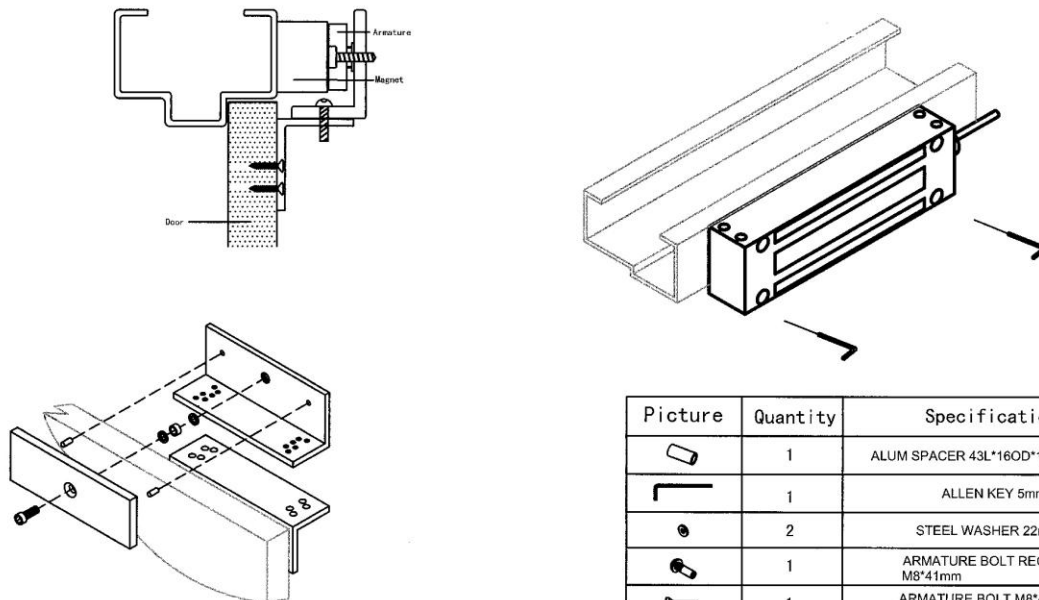
A suitable threadlock should be applied to all fixing screws

## Mounting Installation Series Magnetic Locking Devices

### Side mount



### Face mount



Picture	Quantity	Specification	SERIES
	1	ALUM SPACER 43L*16OD*12.8IDmm	
	1	ALLEN KEY 5mm	
	2	STEEL WASHER 22mm DIA	
	1	ARMATURE BOLT RECEIVER M8*41mm	
	1	ARMATURE BOLT M8*45mm W/RUBBER	
	2	GUIDE PIN 5*16mm	
	4	M6*50mm FIXING SCREW (NYLOCKED)	
	1	TNR330	
	1	RUBBER WASHER 15(OD)*9(ID)*4(H)mm	
	4	STEEL WASHER 10mm DIA	
	8	Rubber T=5mmOD=10.5	
	4	M6*30mm FIXING SCREW (NYLOCKED)	