

KAC Emergency Weatherproof Manual Call Points



The waterproof range is IP67 sealed. The Intrinsically Safe WCP Call Point is intended for use in hazardous environments where protection against water ingress is also required. The Intrinsically Safe (IS) WCP3 has a single Normally Open / Normally Closed (NO/NC) contact for use with access control systems.

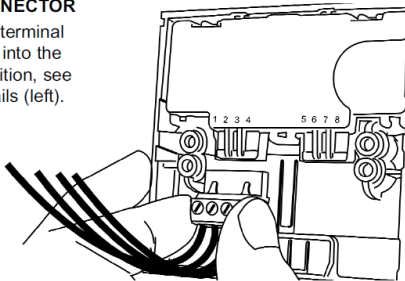
The outdoor WCP is an IP67 sealed manual call point product. The enhanced environmental protection allows the unit to be installed in many external environments where water and dirt are likely to be present, making it a true waterproof and outdoor product.

Features & Benefits

- IP67 Rating for external use
- Easy plug and play installation
- Available in single or double pole
- Break glass version
- Top or Bottom conduit cable access
- All products have been rigorously tested to ensure a long life
- Tamper resistant front
- Broad temperature tolerance
- Surface mounted
- 3-year warranty

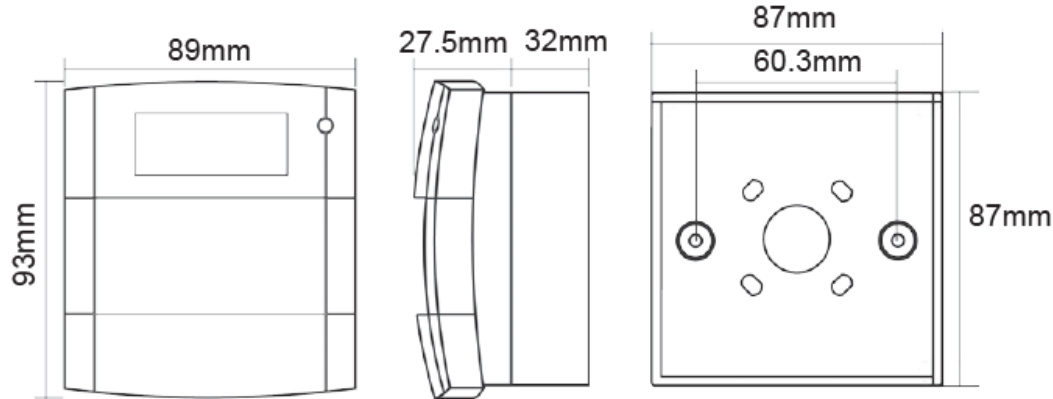
PUSH FIT CONNECTOR

After wiring the terminal connector, plug into the appropriate position, see connection details (left).



Stock Code	Description
AKA-WCP3AG-SG	Weatherproof Green, Break Glass Call Point (Single Pole)
AKA-WCP4A-SG	Weatherproof Green, Break Glass Call Point (Double Pole)

KAC Emergency Weatherproof Manual Call Points



Technical Information	
Maximum Voltage Range	30v DC
Current Rating	2 Amps @ 30V DC
Operating Temperature	-25°C to 70°C
Ingress Protection	IP67
Weight	350g
Material	PC/ABS

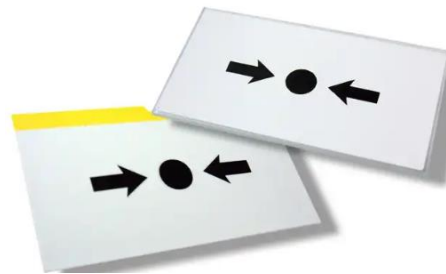
Accessories for MCP Call Points



AKA-SC070
Test/Maintenance
Key (Pack 10)



AKA-PS200
Transparent Hinged
Cover for MCP range



AKA-KG1 Spare Glass panel (top right)
AKA-PS210 Plastic panel (bottom left)

For further information contact:

Securefast plc
6, The Cedars Business Centre
Avon Road, Cannock
Staffordshire
WS11 1QJ



Call > +44 (0) 1704 502 801

Email > sales@securefast.co.uk

Visit > www.securefast.co.uk