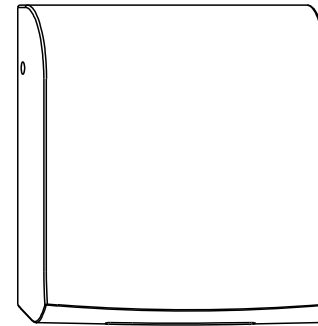




Dryflow

Dryflow, Velocity Point, Wreakes Lane, Dronfield, S18 1PN.
+44 (0)114 3540047 | info@dryflow.co.uk | www.dryflow.co.uk



Dryflow

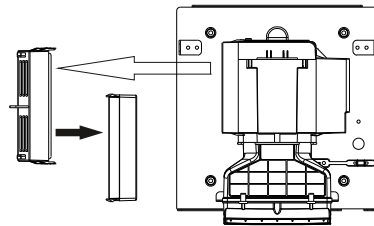
EcoWave Hand Dryer User Manual

Cleaning of the Filter Cartridge

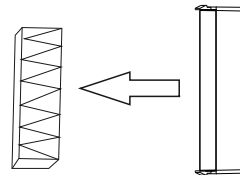


Attention: If the airflow becomes weak, please clean the filter screen. Generally, it needs to be cleaned one or two times a year. Do not clean with water.

- 1 Press the release levers at either side of the filter screen, then pull and get it out.

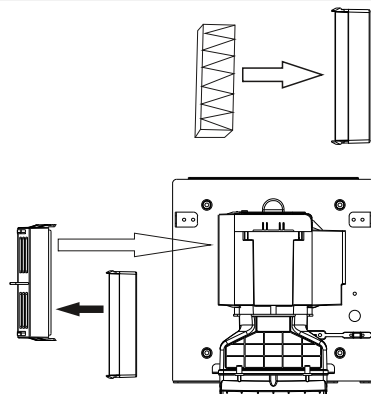


- 2 Get the filter screen from the filter cartridge



- 3 Clean the dust on the filter screen, do not wash. If there is too much dust, please replace

- 4 Put the filter screen at the right position in the filter cartridge, and insert the filter cartridge into the body.



Features:

1. It is equipped with an automatic infrared ray induction system, very easy to use, reducing waste, and no touch with the hands which effectively avoids pathogen cross infection and re-contamination.
2. It has outstanding performance with enhanced technology.
3. It has a unified high speed motor with RPM of 22000, dries the hands in 10-15 seconds.
4. This series product has over current protection, which effectively eliminates accidents.
5. It is suitable for all departments in hospitals, schools, food and pharmaceutical manufacturers, office buildings, hotels, government agencies and research institutions.

Technical Parameters:

| | | | |
|---------------------|-------------------------------------|------------------|---------------|
| Rated Voltage | AC220-240V <input type="checkbox"/> | Waterproof Grade | IPX1 |
| Rated Frequency | 50/60Hz | Air Speed | 80m/s |
| Rated Power | 950W | Sensing Distance | 12 +/- 3cm |
| Ambient Temperature | 0 - 40°C | Drying Time | 10 - 15s |
| Installation | Wall Mounting | Overall Size | 300*275*100mm |

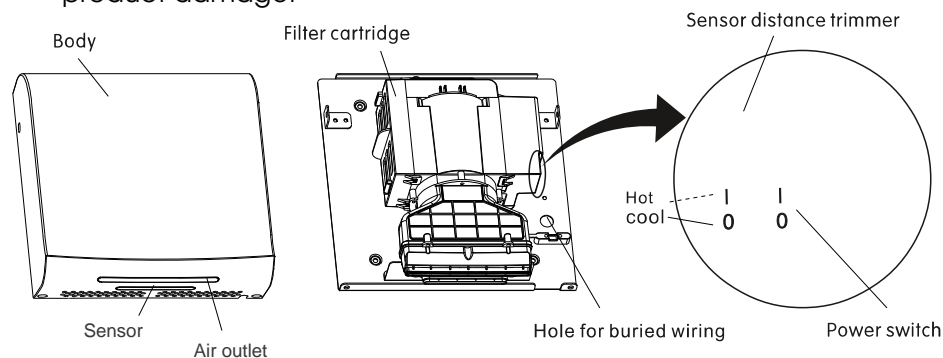
Note Before Installation

⚠ Warning

1. Do not fix in a place where water or water vapour is directed at the surface or in the bathroom where heavy moisture is present in order to avoid electric shock.
2. You must commission a professional electrician to install or else it has electric shock hazard.
3. You must cut off power before installation.
4. Install leakage circuit breakers to protect against fire hazards.
5. Do not disassemble, repair or make any alteration to this machine without authorisation, otherwise there is a risk of electric shock, fire and other accidents.

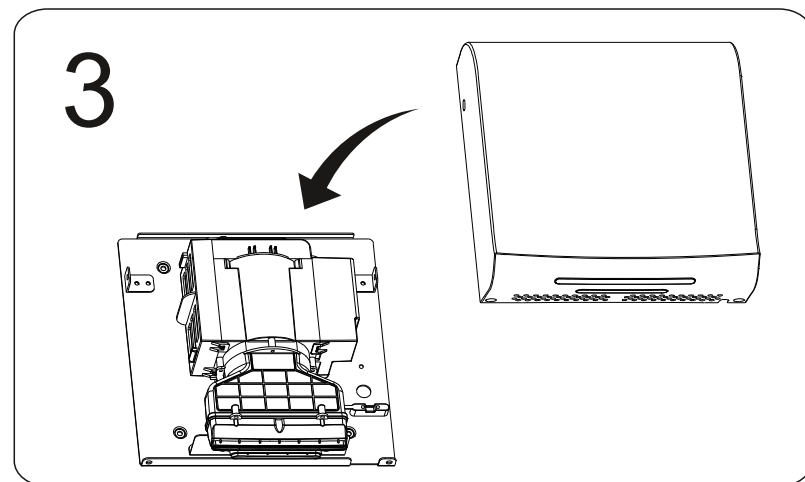
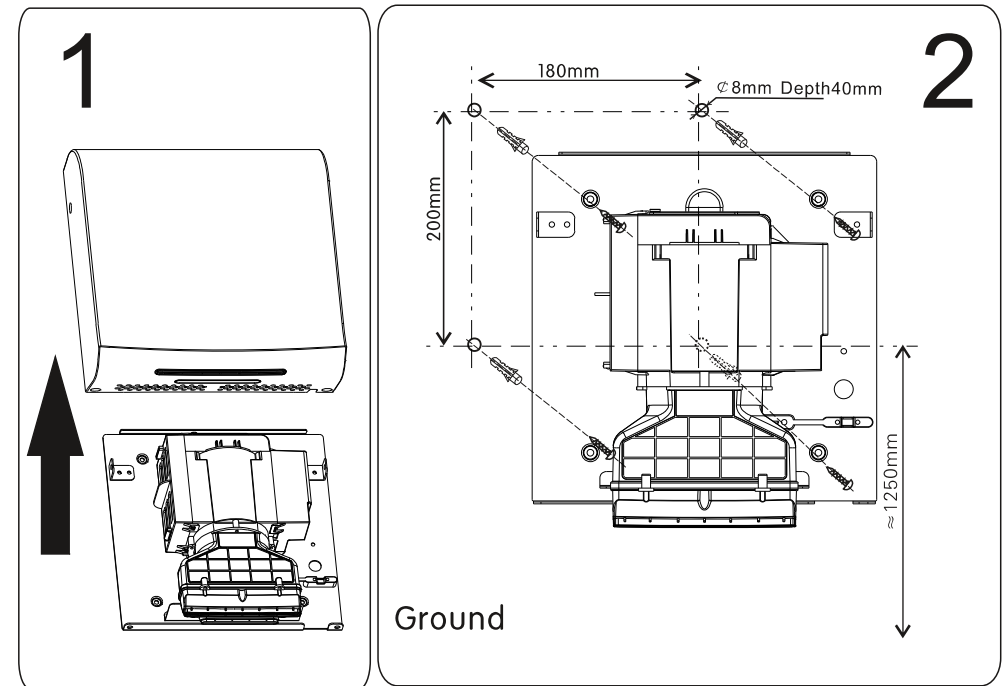
⚠ Attention

1. Ensure that no other items are within 400mm of the outlet. Do not install it above shining surfaces, otherwise prone to misoperation.
2. The body should be firmly fixed to a smooth wall to avoid injuries.
3. Do not install the product in a place with corrosive or flammable gases or objects, it may cause fire or product failure and malfunction.
4. Do not install the product in an environment with excessive dust or high temperature, it may cause product damage.



2

Method of Installation



3

Maintenance:

1. Please cut off the power and clean the cover with natural detergent when it is dirty. The acid and alkalescent bathroom detergent and BEN, lacquer thinner, abrasive, etc. are forbidden. Also, do not use a nylon brush to avoid scratching the surface.
2. When cleaning the cover prevent water droplets going into the machine, so as to avoid electric shock or short circuit.
3. It is better to cut off the power when not in use, to extend the service life.
4. If the power cord is damaged, it should be replaced.
5. If the machine breaks down, cut off the power quickly and do not use, please commission a professional to repair it. Contact your supplier for further assistance.