

Low-profile Fire Rated Downlight, energy saving LED with 5-7W wattage selector switch and CCT4 selector switch, IP65, Dimmable

Technical Specification:

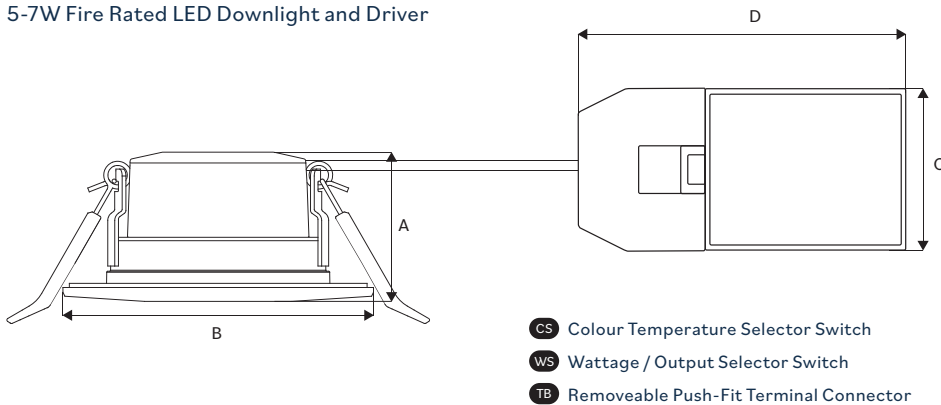
Primary Materials	Aluminium Heatsink, Steel Housing
Remote Driver	Dimmable, Trailing edge
Luminous Efficacy	120 lm/W
Typical UGR	<25
Colour Temperature	2700K, 3000K, 4000K, 6000K Switchable
Colour Rendering Index	Ra >80
Ingress Protection	IP65 (Front), IP20 (Rear)
Fire Rating	30, 60, 90 Minute Ceilings
Beam Angle	60°
Power Factor	>0.80
Impact Resistance	IK08
Safety Class Rating	Class II
Operating Temperature	-10°C to +40°C
LED Lifetime	50,000h L70/B50 (Ta25°C)
Input Voltage & Frequency	AC220-240V 50/60Hz
Light Source Energy Efficiency	Class D
Warranty*	5 Years

120 LUMEN PER WATT | IP65 | Fire Rated 30/60/90 Minute | | RATED LIFE 50,000 HRS | 5 YEAR WARRANTY | |

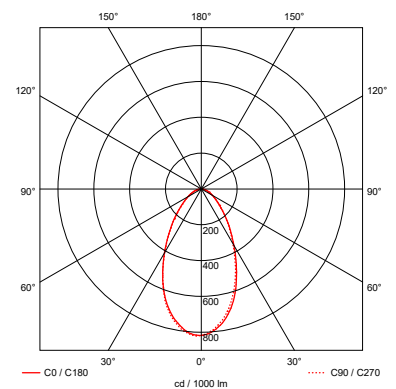


Dimensions:

5-7W Fire Rated LED Downlight and Driver



Light Distribution Curve:



Product Range Data:

Part No.	Power	Lumen Output	Colour Temperature	Dimensions A x B x C x D	Cut Out	IP Rating Front	IP Rating Rear	Ra	Weight
LXFRD/5-7/CCT4/P	5W/7W	600/840lm	2700K/3000K/4000K/6000K	43 x 90 x 47 x 95mm	68-72mm	IP65	IP20	>80	0.25kg

Accessories:

Part No.	Description
LXERPD/230/EM3	3Hr Emergency Remote Pack (For FRD)

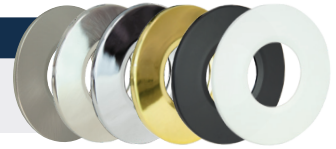
*Warranty terms and conditions apply
Product specifications and values may change due to developments and improvements in lighting technology. International standards set the tolerance in colour temperature, lumen output and connected power load at ±10%. The data values apply to an ambient temperature of +25°C. Specification details are subject to change without prior notification. E&OE. LXFRD5-7V4.06.26

Round Bezels:

Part No.	Description
LXFRD/5-7/MWB/P	Matt White Metal Bezel - Round
LXFRD/5-7/MBB/P	Matt Black Metal Bezel - Round
LXFRD/5-7/BCB/P	Brushed Chrome Metal Bezel - Round
LXFRD/5-7/SCB/P	Satin Chrome Metal Bezel - Round
LXFRD/5-7/PCB/P	Polished Chrome Metal Bezel - Round
LXFRD/5-7/PBB/P	Polished Brass Metal Bezel - Round

Available Round Bezels

Satin Chrome, Brushed Chrome, Polished Chrome, Polished Brass, Matt Black and Matt White



Square Bezels:

Part No.	Description
LXFRD/5-7/MWSB/P	Matt White Metal Bezel - Square
LXFRD/5-7/MBSB/P	Matt Black Metal Bezel - Square
LXFRD/5-7/BCSB/P	Brushed Chrome Metal Bezel - Square
LXFRD/5-7/SCSB/P	Satin Chrome Metal Bezel - Square
LXFRD/5-7/PCSB/P	Polished Chrome Metal Bezel - Square

Available Square Bezels

Satin Chrome, Brushed Chrome, Polished Chrome, Matt Black and Matt White

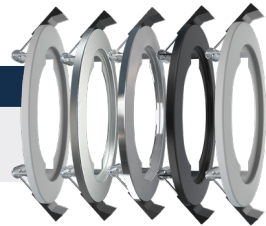


Adapter Plates: Round - 118mm Outer Diameter

Part No.	Description
LXFRD/5-7/MWAP	Matt White Adapter Plate - Round
LXFRD/5-7/MBAP	Matt Black Adapter Plate - Round
LXFRD/5-7/BCAP	Brushed Chrome Adapter Plate - Round
LXFRD/5-7/SCAP	Satin Chrome Adapter Plate - Round
LXFRD/5-7/PCAP	Polished Chrome Adapter Plate - Round

Available Adapter Plates

Satin Chrome, Brushed Chrome, Polished Chrome, Matt Black and Matt White



*Warranty terms and conditions apply

Product specifications and values may change due to developments and improvements in lighting technology. International standards set the tolerance in colour temperature, lumen output and connected power load at ±10%. The data values apply to an ambient temperature of +25°C. Specification details are subject to change without prior notification. E&OE. LXFRD5-7V4.06.26