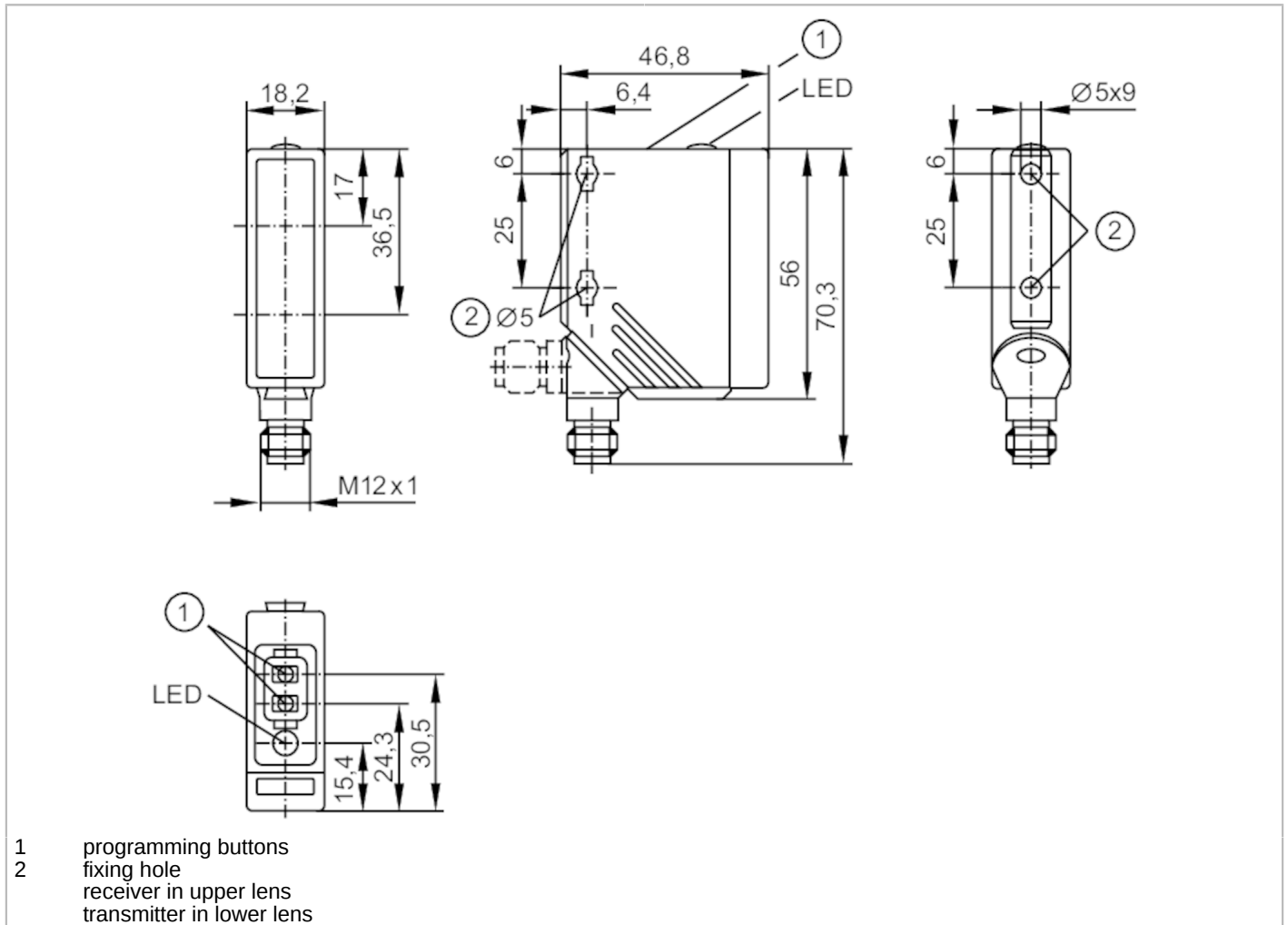


O5P500



Retro-reflective sensor

O5P-FPKG/US100



Product characteristics	
Type of light	red light
Housing	rectangular
Application	
Special feature	polarisation filter
Function principle	Retro-reflective sensor
Electrical data	
Operating voltage [V]	10...36 DC; ("supply class 2" to cULus)
Current consumption [mA]	20
Protection class	II
Reverse polarity protection	yes
Type of light	red light
Wave length [nm]	624
Outputs	
Electrical design	PNP
Output function	light-on/dark-on mode; (programmable)

O5P500



Retro-reflective sensor

O5P-FPKG/US100

Max. voltage drop switching output DC	[V]	2.5
Permanent current rating of switching output DC	[mA]	200
Switching frequency DC	[Hz]	2000
Short-circuit protection		yes
Type of short-circuit protection		pulsed
Overload protection		yes

Detection zone

Range referred to prismatic reflector	[m]	0.075...10; (Prismatic reflector Ø 80 E20005)
Range adjustable		yes
Max. light spot diameter	[mm]	250
Light spot dimensions refer to		at maximum range
Polarisation filter available		yes

Operating conditions

Ambient temperature	[°C]	-25...60
Protection		IP 67

Tests / approvals

EMC		EN 60947-5-2
MTTF	[years]	435

Mechanical data

Weight	[g]	67.5
Housing		rectangular
Dimensions	[mm]	56 x 18.2 x 46.8
Materials		housing: PA; bezel: stainless steel; operator interface: TPU
Lens material		PMMA
Lens alignment		side lens

Fixing hole

Tightening torque	[Nm]	< 2; (when using a mounting screw M5)
-------------------	------	---------------------------------------

Displays / operating elements

Display	switching status	1 x LED, yellow
Teach function		yes
Electronic lock		yes

Remarks

Pack quantity		1 pcs.
---------------	--	--------

O5P500



Retro-reflective sensor

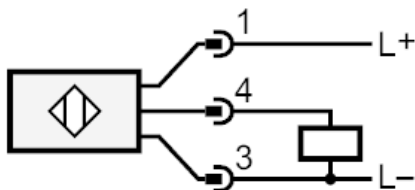
O5P-FPKG/US100

Electrical connection

Connector: 1 x M12; coding: A



Connection



O5P500



Retro-reflective sensor

O5P-FPKG/US100

Diagrams and graphs

excess gain graph

