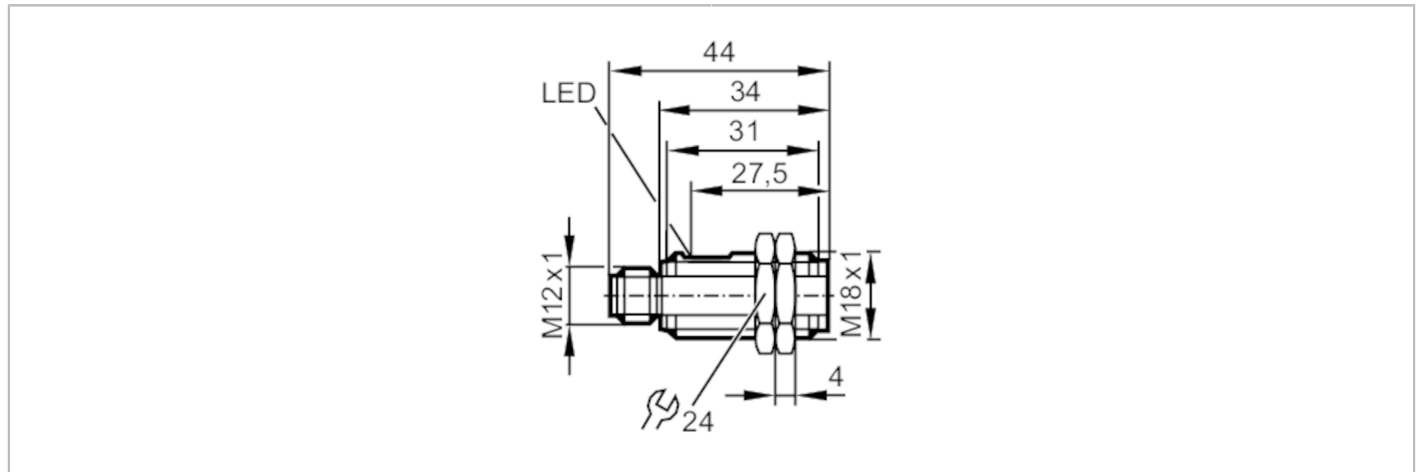


OGP100



Retro-reflective sensor

OGP-DPKG/US



Product characteristics		
Type of light		red light
Housing		threaded type
Application		
Special feature		polarisation filter
Function principle		Retro-reflective sensor
Electrical data		
Operating voltage	[V]	10...30 DC
Current consumption	[mA]	20
Protection class		III
Reverse polarity protection		yes
Type of light		red light
Wave length	[nm]	645
Outputs		
Electrical design		PNP
Output function		dark-on mode
Max. voltage drop switching output DC	[V]	2.5
Permanent current rating of switching output DC	[mA]	200
Switching frequency DC	[Hz]	1000
Short-circuit protection		yes
Overload protection		yes
Detection zone		
Range referred to prismatic reflector	[m]	0.05...2.5; (Prismatic reflector Ø 80 E20005)
Range adjustable		no
Max. light spot diameter	[mm]	200
Light spot dimensions refer to		at maximum range
Polarisation filter available		yes

OGP100



Retro-reflective sensor

OGP-DPKG/US

Operating conditions

Ambient temperature	[°C]	-25...60
Protection		IP 67; (in conjunction with a corresponding connector)

Tests / approvals

EMC		EN 60947-5-2
MTTF	[years]	769

Mechanical data

Weight	[g]	15
Housing		threaded type
Dimensions	[mm]	M18 x 1 / L = 44
Thread designation		M18 x 1
Materials		housing: ABS
Lens material		PMMA

Displays / operating elements

Display	switching status	1 x LED, yellow
---------	------------------	-----------------

Accessories

Items supplied		lock nuts: 2
----------------	--	--------------

Remarks

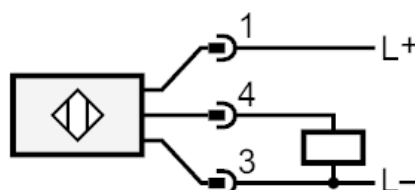
Pack quantity		1 pcs.
---------------	--	--------

Electrical connection

Connector: 1 x M12; coding: A



Connection



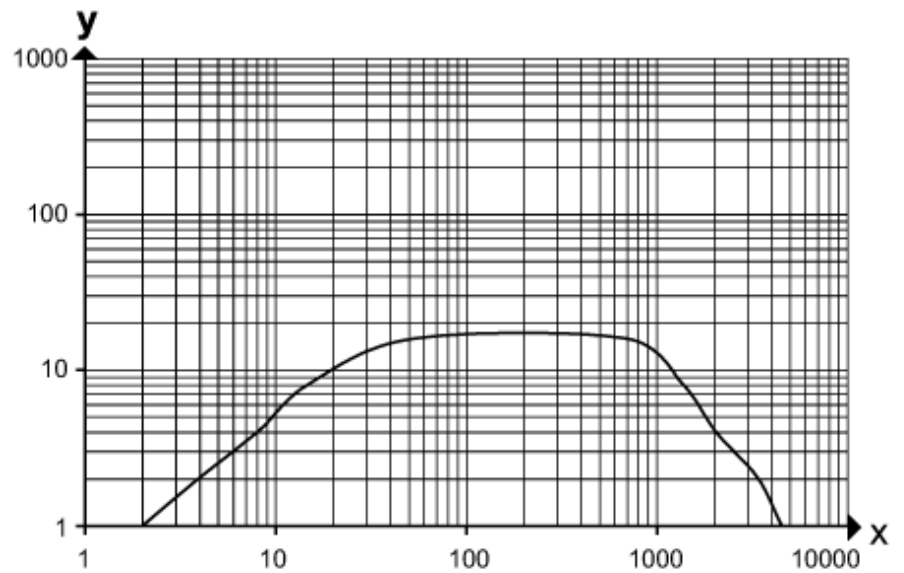


Retro-reflective sensor

OGP-DPKG/US

Diagrams and graphs

excess gain graph



x: distance [mm]

y: excess gain factor