

Installation Instructions

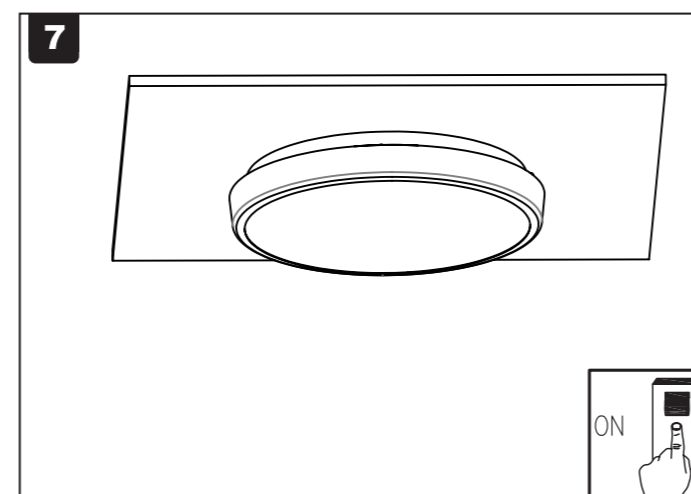
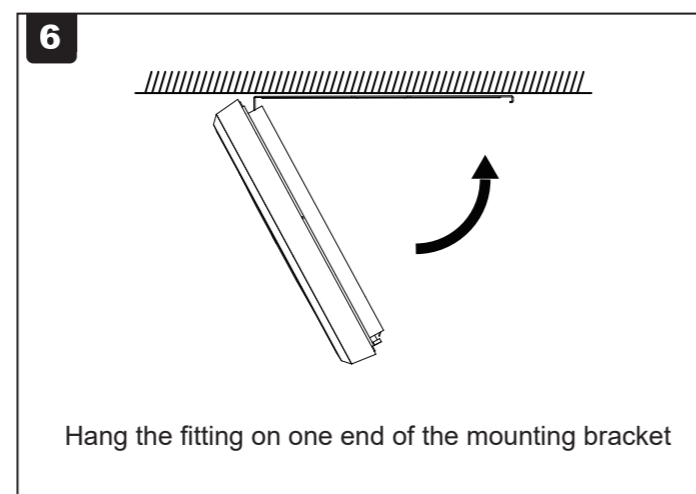
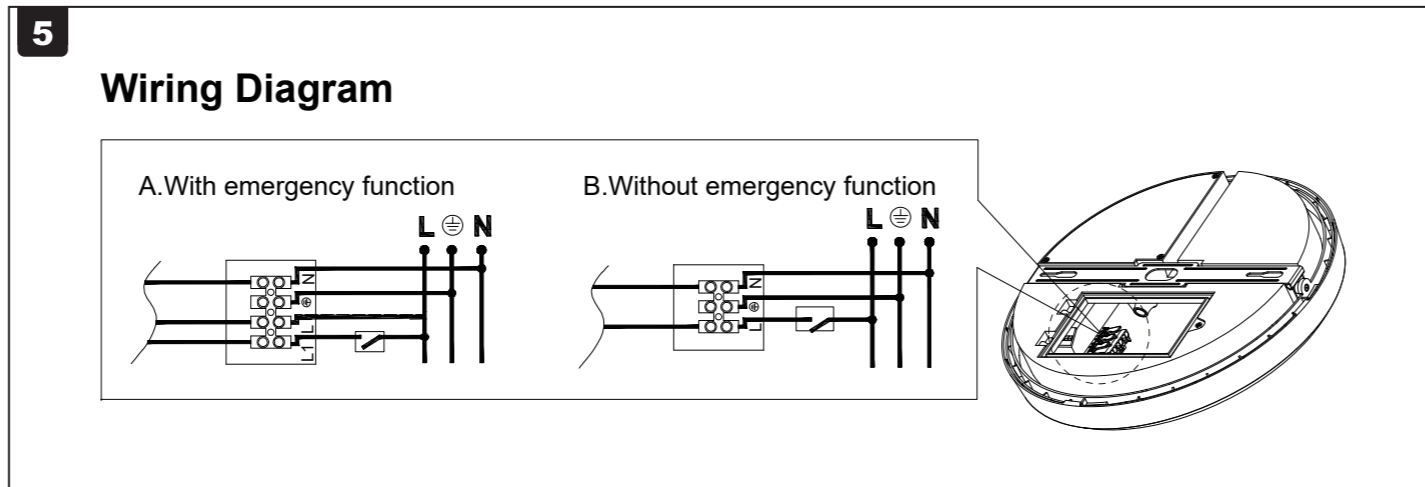
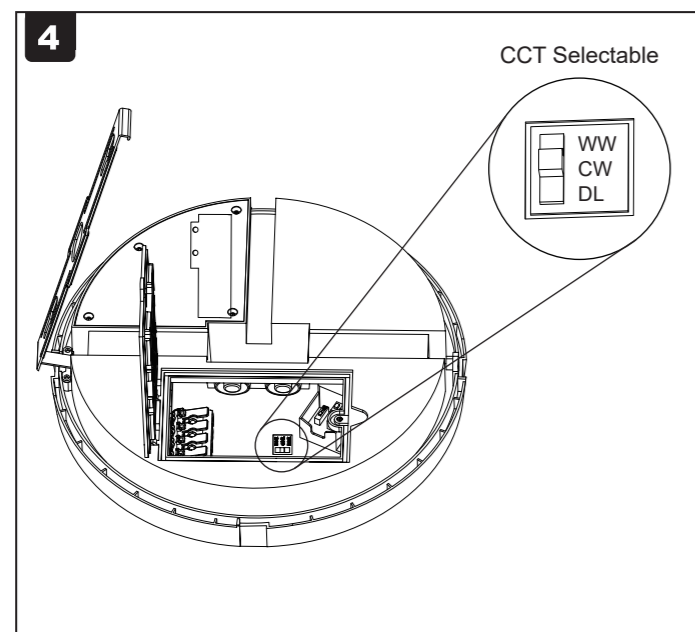
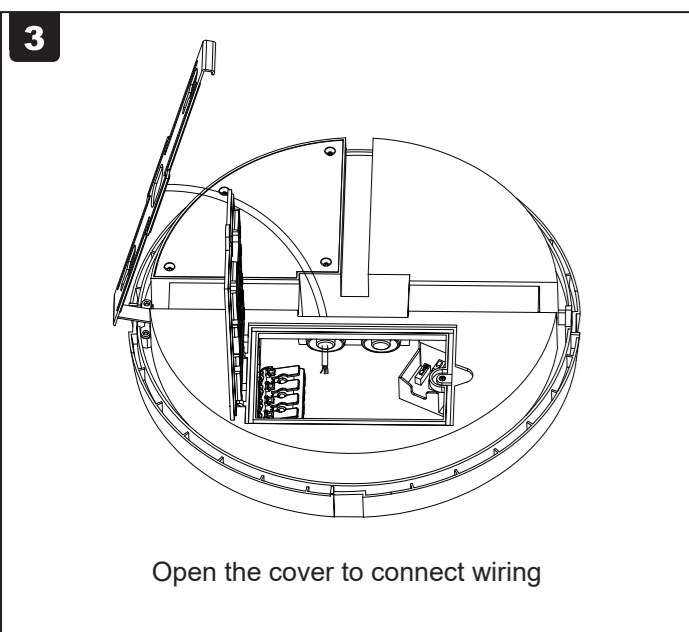
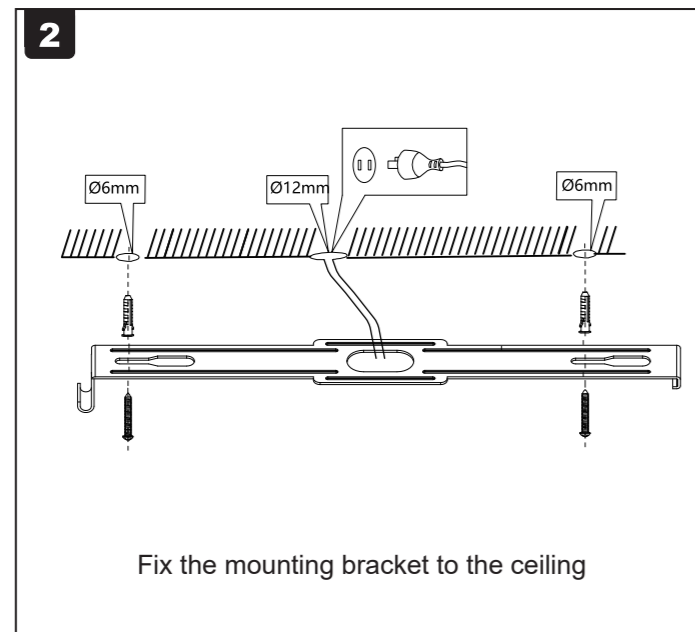
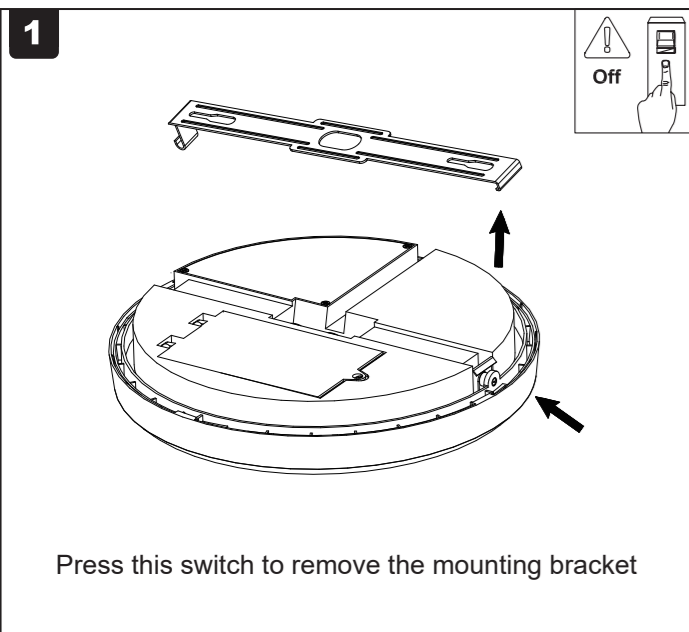
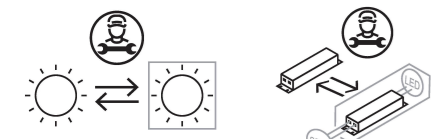
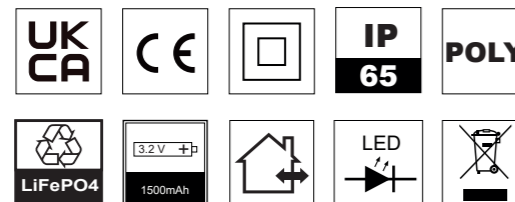
Instrucciones de instalación, Instructions d'installation, Installationsanleitung, إرشادات التركيب, Installatie-instructies, Instruções de instalação, Installatie-instructies, 設置手順説明, Οδηγίες εγκατάστασης



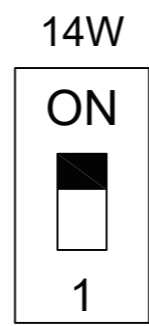
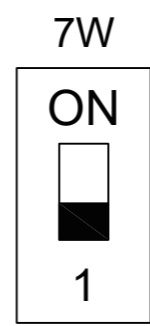
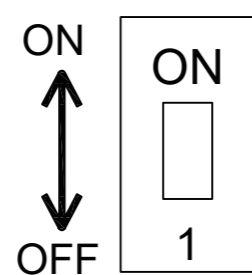
Product Code:[AGAM/1/]



Master Translations QR Link



ON-OFF Setting



Ansell Electrical Products Unit 6B, Stonecross Industrial Park, Yew Tree Way, Warrington, WA3 3JD
 Ansell (Sales & Distribution) Unit 2, M2 Business Park, Duncrue Street, Belfast, BT3 9AQ
 Ansell (Sales & Distribution) Republic of Ireland Limited Unit G1, Block G, Calmount Park, Calmount Avenue, Dublin 12, D12 TH56
www.ansell-lighting.com
 Warrington Tel: +44 (0)1942 433333 Belfast Tel: +44 (0)2890 773750 International Tel: +44 (0)1942 433343 Spain Tel: 00 34 938 005642

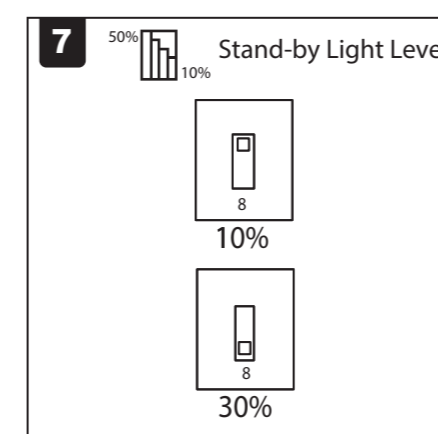
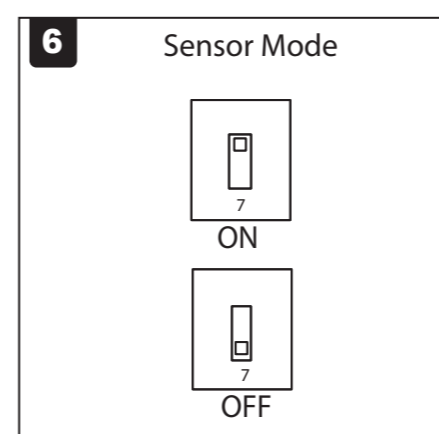
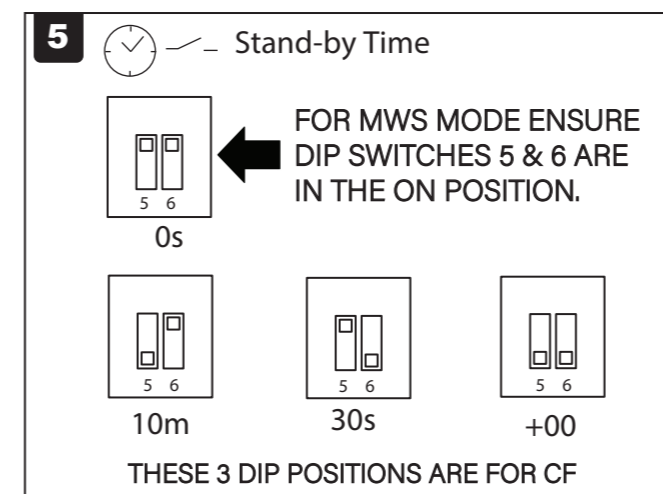
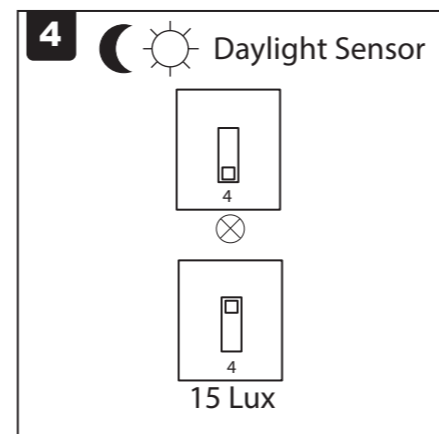
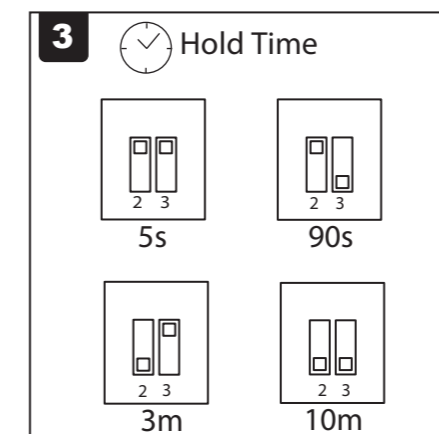
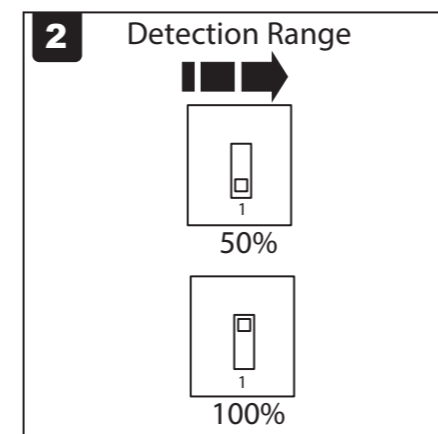
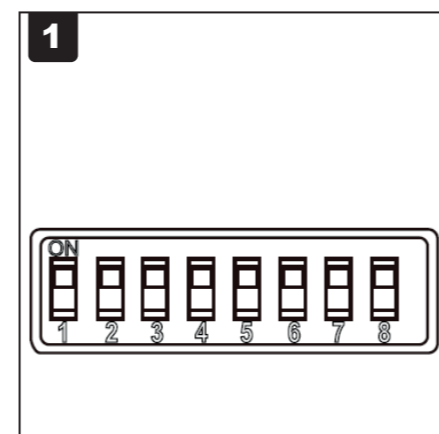
Issue Number: [1]

Ansell Electrical Products Unit 6B, Stonecross Industrial Park, Yew Tree Way, Warrington, WA3 3JD
 Ansell (Sales & Distribution) Unit 2, M2 Business Park, Duncrue Street, Belfast, BT3 9AQ
 Ansell (Sales & Distribution) Republic of Ireland Limited Unit G1, Block G, Calmount Park, Calmount Avenue, Dublin 12, D12 TH56
www.ansell-lighting.com
 Warrington Tel: +44 (0)1942 433333 Belfast Tel: +44 (0)2890 773750 International Tel: +44 (0)1942 433343 Spain Tel: 00 34 938 005642

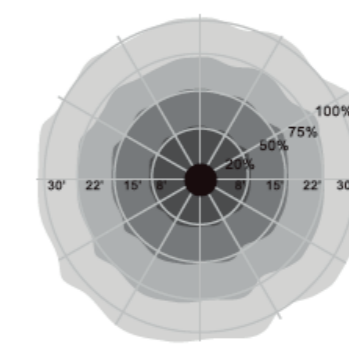
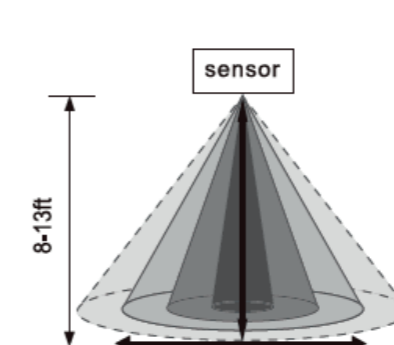
Issue Number: [1]



/MWS Settings Instructions



SENSOR COVERAGE



① Detection is possible through doors, panels, glass and thin walls.

8 Output current setting

Output current 7 Options are optional. Set this parameter by the combination of (1,2,3,4) DIP switch up or DIP switch down. Dip switch mode (left).

Output current	1	2	3	4
55mA	↓	↓	↓	↓
150mA	↑	↓	↓	↓
350mA	↑	↑	↓	↓
400mA	↑	↑	↑	↓
480mA	↑	↑	↑	↑

Output current setting: 1,2,3,4

WIRING DIAGRAMS

Mounting Height: 2,5 - 4m Max.
 Microwave Frequency: 5.8GHz+/-75MHz
 Microwave Power: <0.5mW
 Detection Radius: 4m - 7m
 Detection Angle: Ceiling 360°

Ansell Electrical Products Unit 6B, Stonecross Industrial Park, Yew Tree Way, Warrington, WA3 3JD
 Ansell (Sales & Distribution) Unit 2, M2 Business Park, Duncrue Street, Belfast, BT3 9AQ
 Ansell (Sales & Distribution) Republic of Ireland Limited Unit G1, Block G, Calmount Park, Calmount Avenue, Dublin 12, D12 TH56
www.ansell-lighting.com
 Warrington Tel: +44 (0)1942 433333 Belfast Tel: +44 (0)2890 773750 International Tel: +44 (0)1942 433343 Spain Tel: 00 34 938 005642

Issue Number: [1]

Ansell Electrical Products Unit 6B, Stonecross Industrial Park, Yew Tree Way, Warrington, WA3 3JD
 Ansell (Sales & Distribution) Unit 2, M2 Business Park, Duncrue Street, Belfast, BT3 9AQ
 Ansell (Sales & Distribution) Republic of Ireland Limited Unit G1, Block G, Calmount Park, Calmount Avenue, Dublin 12, D12 TH56
www.ansell-lighting.com
 Warrington Tel: +44 (0)1942 433333 Belfast Tel: +44 (0)2890 773750 International Tel: +44 (0)1942 433343 Spain Tel: 00 34 938 005642

Issue Number: [1]