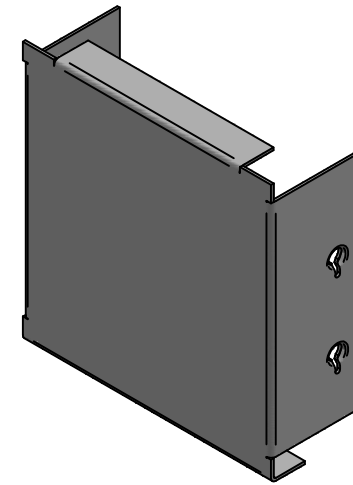
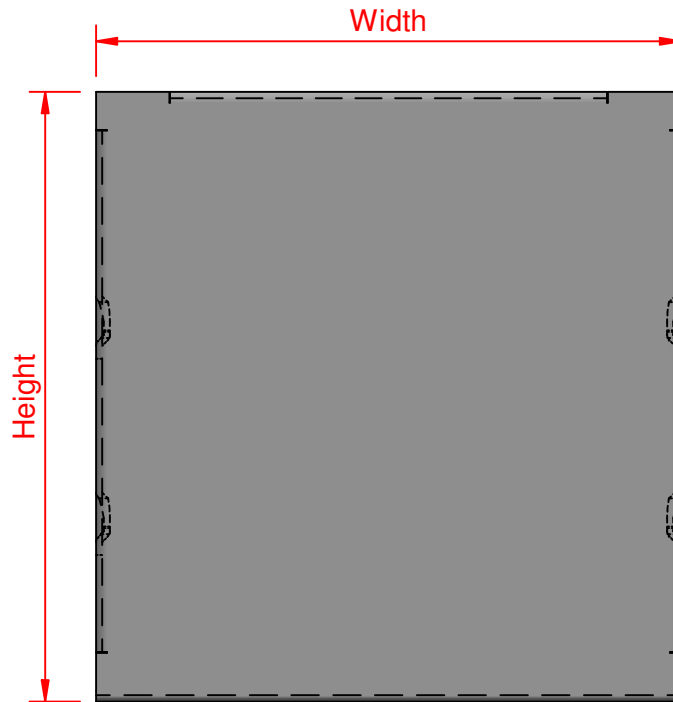


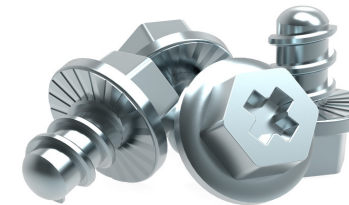


# QuickFix

Size	Width	Height
BE22	50.8	50.8
BE32	76.2	50.8
BE33	76.2	76.2
BE42	101.6	50.8
BE43	101.6	76.2
BE44	101.6	101.6
BE62	152.4	50.8
BE63	152.4	76.2
BE64	152.4	101.6
BE66	152.4	152.4
BE82	203.2	50.8
BE83	203.2	76.2
BE84	203.2	101.6
BE88	203.2	203.2
BE92	228.6	50.8
BE93	228.6	76.2
BE94	228.6	101.6
BE96	228.6	152.4
BE99	228.6	228.6



- ✓ Fast fitting **UniBolt** reduces installation time by as much as 80%
- ✓ **IP4X compliant** as standard
- ✓ **Completes the range** of fast fitting and innovative Cable Management Solutions



In accordance with Unitrunk's policy of continuous improvement, Unitrunk reserves the right to change specifications and designs without notice. Data is the copyright of Unitrunk Ltd and not to be reproduced or passed to a third party without written consent.

<b>Cable Trunking &amp; Ducting Standard</b> BS EN 50085-1 & BS EN 50085-2-1		<b>Material Standard</b> BS EN 10346 (Pre Galv)		<b>Quality Recognition</b>	
<b>Unitrunk Head Office:</b> 4 Altona Road, Lisburn, BT27 5QB +44 28 9262 5100   info@unitrunk.co.uk unitrunk.co.uk   unitrunk.ie		<b>Lid Fixing</b> Retained Toggle	<b>Torque Value</b> 3 N m		
		<b>Data Sheet Reference</b> Blank End	<b>Revision</b> 2.01		



# UNITRUNK