

3 Hour Emergency Remote High-output LED Module Kit, 6W, 1000lm, IP65, 3 hour Non-maintained

### Technical Specification:

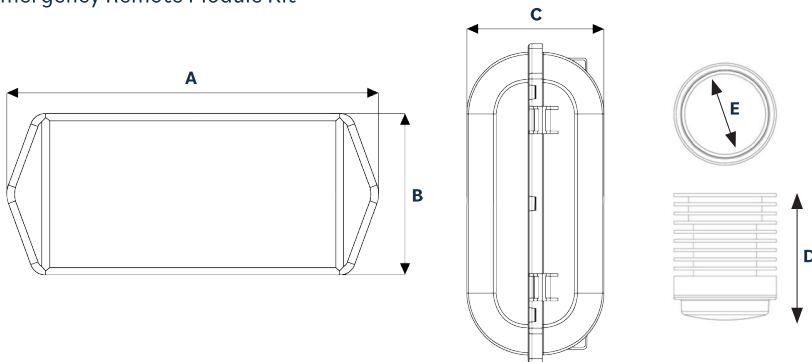
Primary Materials	Polycarbonate
Emergency Operation	Non-maintained
Ingress Protection	IP65
Safety Class Rating	Class I
Operating Temperature	0°C to +40°C
Battery Charge Time	24 Hours
Emergency Duration	3 Hours
EM LED Power (Typical)	3W (AC) 6W (DC)
Input Voltage & Frequency	AC220-240V 50/60Hz
Battery	LiFePO4 6.4V 5.5Ah
Warranty*	5 Years



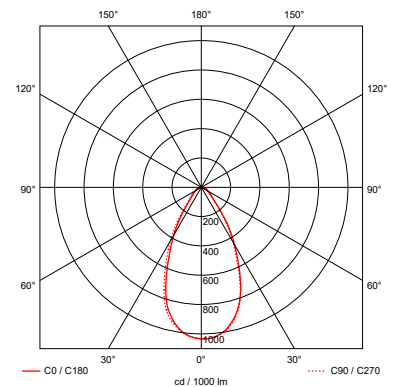
Emergency Pack, LED Module and Mounting Brackets Included.  
**Highbay Not Included**

### Dimensions:

Emergency Remote Module Kit



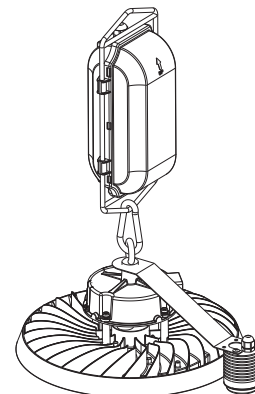
### Light Distribution Curve:



### Product Range Data:

Part No.	Power	Lumen Output	Dimensions A x B x C x D x E	IP Rating	Class Rating	Weight
LXEHB/RMK	6W	1000lm	301 x 131 x 98 x 62 x Ø50 mm	IP65	Class I	1.2kg

Compatible with all Luxna Highbay & Lowbays



\*Warranty terms and conditions apply

Product specifications and values may change due to developments and improvements in lighting technology. International standards set the tolerance in colour temperature, lumen output and connected power load at ±10%. The data values apply to an ambient temperature of +25°C. Specification details are subject to change without prior notification. E&OE. LXEHBRMK