



# Tornado Evo



Part of the Battens and Weatherproofs product category

<b>Model</b>	Tornado EVO CCT Multi Wattage 1200mm
<b>Code</b>	ATORE4/2
<b>Application</b>	Ancillary, Commercial, Education, Healthcare, Hospitality, Industrial, Retail

## GENERAL INFORMATION

<b>Input</b>	220-240V
<b>Wattage</b>	20W/40W
<b>Operating Temp</b>	-20°C - 40°C
<b>Lumens Delivered</b>	3000lm - 6100lm (4000K)
<b>lm/W</b>	150lm/W (4000K)
<b>CCT</b>	4000/5000/6500K
<b>Beam Angle</b>	120

## MATERIAL INFORMATION

<b>Main Material</b>	Polycarbonate
<b>Diffuser Material</b>	Polycarbonate
<b>Product Weight without Packaging</b>	1.46 kg
<b>Colour / Finish</b>	Grey
<b>Height</b>	81 mm

## TECHNICAL INFORMATION

<b>Class Protection</b>	1
<b>Light Source</b>	LED
<b>SDCM (Initial Macadam)</b>	6
<b>CRI</b>	80
<b>Internal / External</b>	Internal / External
<b>Surface / Recessed / Suspended</b>	Ceiling, Suspended
<b>Power Factor</b>	0.9
<b>L70 @ 25°C</b>	L70 100,000h

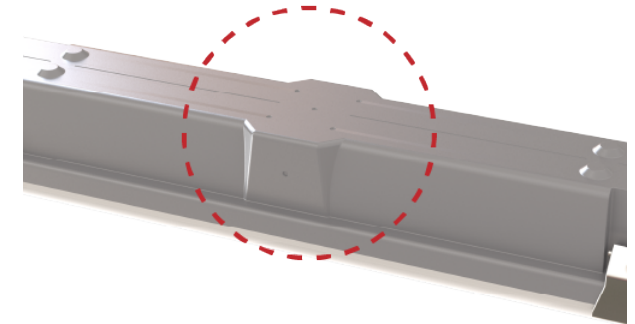
## PRODUCT FEATURES

- IP66 non-corrosive batten suitable for industrial applications and ancillary areas
- High efficiency up to 160 Lm/W
- CCT selectable between 4000K, 5000K and 6500K and power selectable; offering a choice of 2 outputs, in one luminaire
- Slim sloped diffuser design creates sleek appearance and offers greater light distribution
- LED performance allows point-to-point replacement of existing fluorescent luminaires



## Increased Flexibility

Three side conduit entries allow for **enhanced flexibility** and **faster installations**





# Tornado Evo



Part of the Battens and Weatherproofs product category

**Model** Tornado EVO CCT Multi Wattage 1200mm  
**Code** ATORE4/2  
**Application** Ancillary, Commercial, Education, Healthcare, Hospitality, Industrial, Retail

