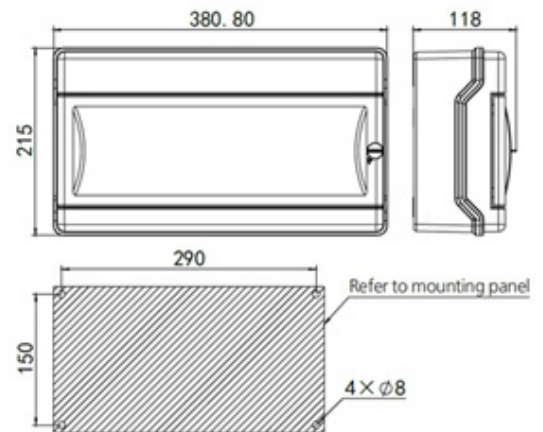
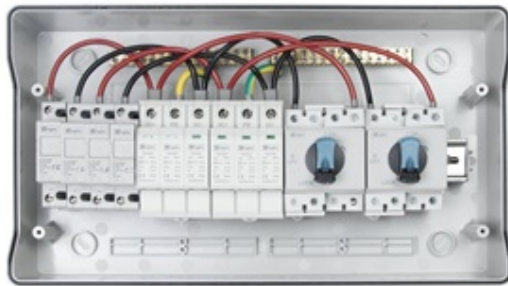


# Combiner Boxes

## Range: Solar Power Connection

Order Code: TCB-WKA-2I2O-1000V



### DESCRIPTION

Control and Safety Equipment for Solar Power distribution.  
2-In, 2-Out Combiner Box, comprising a Pre-connected Combiner Box with surge protection, current isolation and leakage/grounding protection. Additionally supplied with photovoltaic connectors, cable glands and breather plug.

For a larger sized image and a wiring diagram, click datasheet link

### SOLAR POWER CONNECTION FEATURES

- Polycarbonate body material
- IP65 Protection, IK08 Impact Resistance
- Storage temperature -25oC to +90oC
- UV protective transparent door
- Resistant to water, corrosion and dust

*Subject to technical modification without notice.*

*Typographical and other errors do not justify claim for damages.*

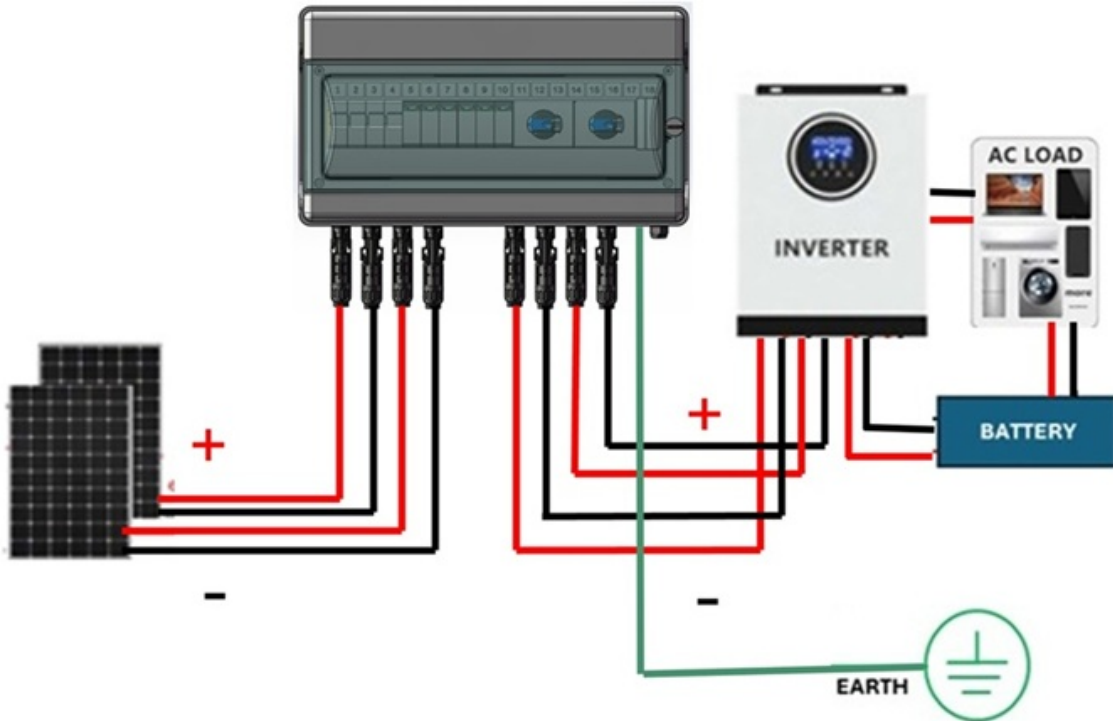
## SPECIFICATION

Max Current (A)	32
Max Voltage (V)	1500
Colour	Grey
IP Rating	IP65
Max Temperature Rating °C	+90
Min Temperature Rating °C	-25
Cable Entries	2 in-2 out
Body Colour	Grey
Body Material	Polycarbonate
Height (mm)	215
Depth (mm)	118
Width (mm)	380

## INDUSTRY ACCREDITATIONS



ADDITIONAL INFORMATION



IN  OUT

