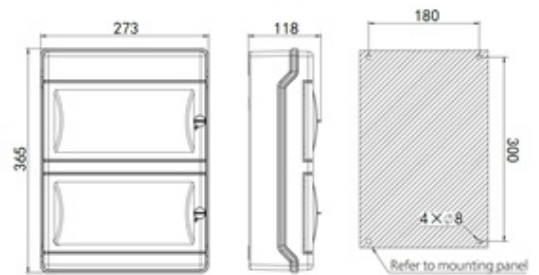


Combiner Boxes

Range: Solar Power Connection

Order Code: TCB-WKA-4I2O-1000V



DESCRIPTION

Control and Safety Equipment for Solar Power distribution. 4-In, 2-Out Combiner box, comprising a Pre-connected Combiner Box with surge protection, current isolation and leakage/grounding protection. Additionally supplied with photovoltaic connectors, cable glands and breather plug.

For a larger sized image and a wiring diagram, click [datasheet link](#)

SOLAR POWER CONNECTION FEATURES

- Polycarbonate body material
- IP65 Protection, IK08 Impact Resistance
- Storage temperature -25oC to +90oC
- UV protective transparent door
- Resistant to water, corrosion and dust

Subject to technical modification without notice.

Typographical and other errors do not justify claim for damages.

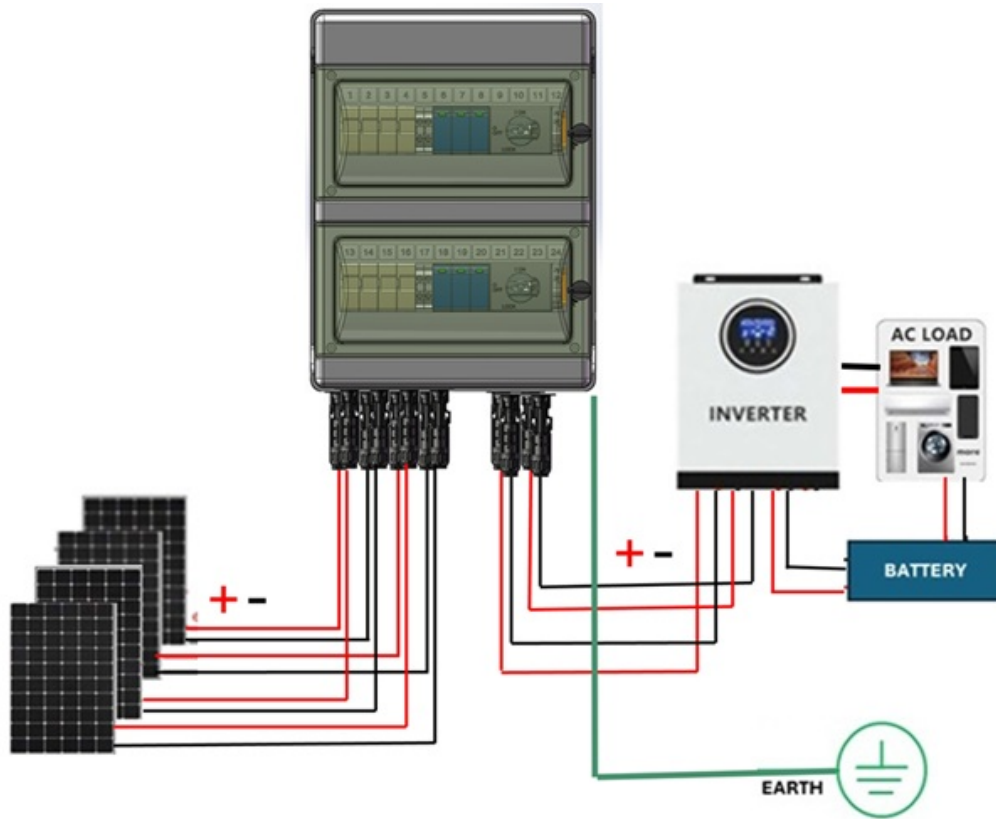
SPECIFICATION

Max Current (A)	32
Max Voltage (V)	1500
Colour	Grey
IP Rating	IP65
Max Temperature Rating °C	+90
Min Temperature Rating °C	-25
Cable Entries	4 in-2 out
Body Colour	Grey
Body Material	Polycarbonate
Height (mm)	365
Depth (mm)	118
Width (mm)	273

INDUSTRY ACCREDITATIONS



ADDITIONAL INFORMATION



IN  OUT

