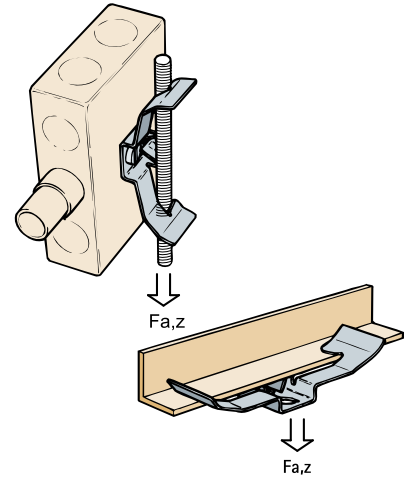
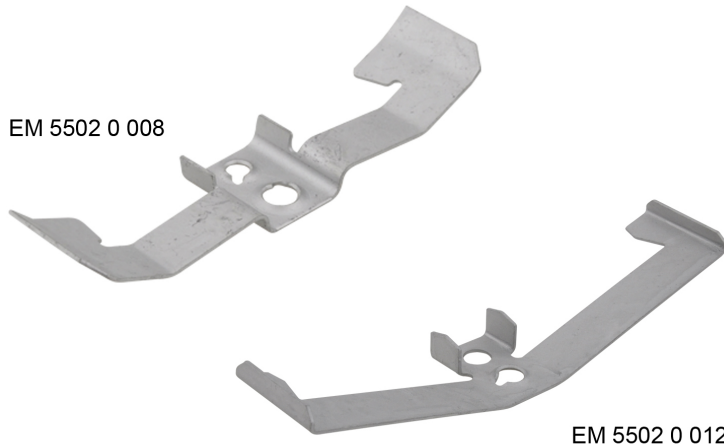


# Britclips® Utility Clip

for threaded rods or flanges

(J 25 115)

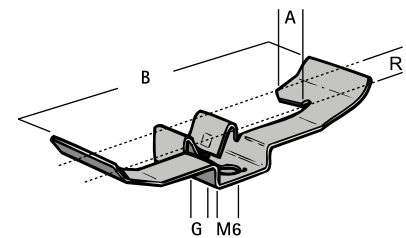


## Features and benefits

- for quick fixing to threaded rods or flanges without welding or drilling
- with female thread or hole for universal use
- material: spring steel (type CS70)
- surface treatment: Delta-Tone 9000 (480 hours)

Part No.	Code	A (mm)	R	G	B (mm)	F <sub>a,z</sub> (N)	Pack 1
EM55020008	UC250	3 - 7	M4 - M8	M4	80	220	100
EM55020012	UC375	9 - 14	M10 - M12	M6	120	220	100

*For use with static loads only.*



**Complementary**  
 BIS Stud Bolt  
 BIS Threaded Rod