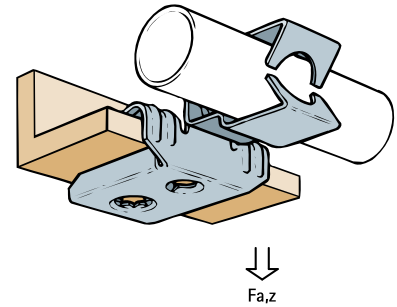
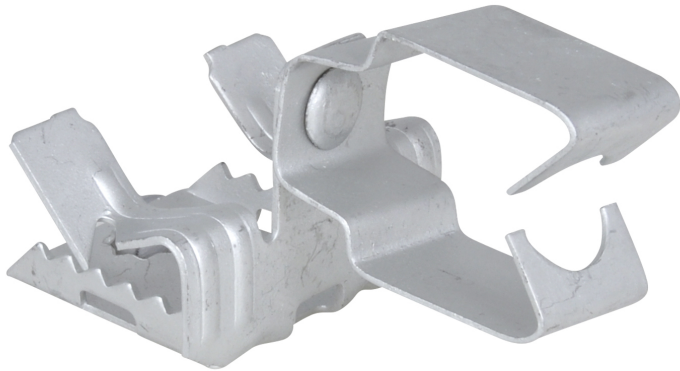


Britclips® Side Mounted Beam Clip / Conduit Combination

(J 10 120)

for flange 3 - 20 mm



Features and benefits

- for a solid fixing to steel construction without the need for welding or drilling
- material: spring steel (type CS70)
- conduit clip swivels 360°
- surface treatment: Delta-Tone 9000 (480 hours)

Part No.	Code	D (mm)	A (mm)	F _{a,z} (N)	Pack 1
EM51142513	75H5-8SM	25	8.0 - 12.5	110	50
EM51142520	75H9-12SM	25	14.0 - 20.0	110	50

For use with static loads only.

