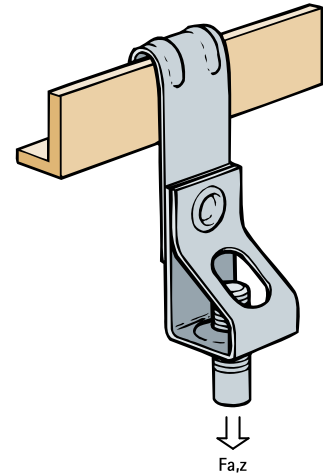


Britclips® Vertical Flange Threaded Rod Hanger

(J 40 160)

for vertical flanges 1 - 7 mm

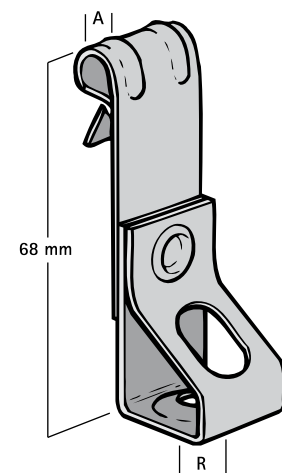


Features and benefits

- for quick and easy fixing to vertical flanges
- with threaded rod holder (rod height adjustable by screwing)
- material: spring steel (type CS70)
- surface treatment: Delta-Tone 9000 (480 hours)

Part No.	Code	A (mm)	R	F _{a,z} (N)	Pack 1
EM57420605	VF1-6MT	1 - 5	M6	650	100
EP57420605	VF1-6MT	1 - 5	M6	650	25
EM57420805	VF1-8MT	1 - 5	M8	700	100
EP57420805	VF1-8MT	1 - 5	M8	700	25
EM57421005	VF1-10MT	1 - 5	M10	720	100
EP57421005	VF1-10MT	1 - 5	M10	720	25
EM57421105	VF1-12P	1 - 5	∅ 11 mm	720	100
EM57420607	VF2-6MT	5 - 7	M6	650	100
EM57420807	VF2-8MT	5 - 7	M8	700	100
EM57421007	VF2-10MT	5 - 7	M10	720	100

For use with static loads only.



Complementary
 BIS Stud Bolt
 BIS Threaded Rod