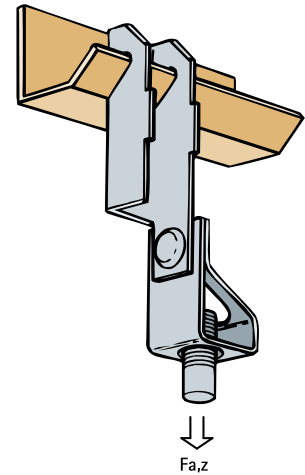


# Britclips® Z Purlin Threaded Rod Hanger

(J 40 115)

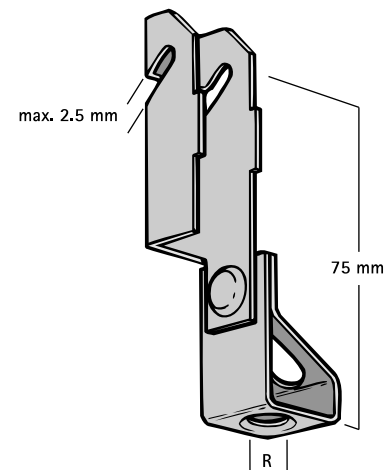
for purlins max. 2.5 mm



## Features and benefits

- hold fast 45°
- for fixing to purlins
- with threaded rod holder (rod height adjustable by screwing)
- material: spring steel (type CS70)
- surface treatment: Delta-Tone 9000 (480 hours)

Part No.	Code	R	F <sub>a,z</sub> (N)	Pack 1
EM57430603	ZP6MT	M6	450	100
EM57420803	ZP8MT	M8	450	100
EM57421003	ZP10MT	M10	450	100
<i>For use with static loads only.</i>				



**Complementary**  
 BIS Stud Bolt  
 BIS Threaded Rod