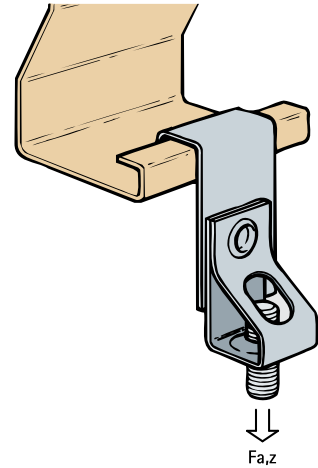


Britclips® Purlin Clip / Threaded Rod Hanger

for purlins

(J 40 139)

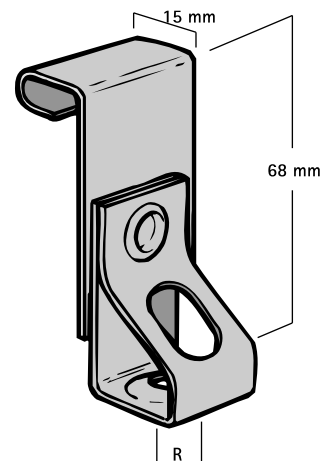


Features and benefits

- hold fast 90°
- for fixing to purlins
- with threaded rod holder (rod height adjustable by screwing)
- material: spring steel (type CS70)
- surface treatment: Delta-Tone 9000 (480 hours)

Part No.	Code	R	F _{a,z} (N)	Pack 1
EM57420615	HPC6MT	M6	200	100
EM57420815	HPC8MT	M8	200	100
EM57421015	HPC10MT	M10	200	100

For use with static loads only.



Complementary
 BIS Stud Bolt
 BIS Threaded Rod