

TECHNICAL DATA SHEET Silent 100 | Ultra Quiet WC & Bathroom Fan



KEY FEATURES

- ✓ Sealed for life ball bearings
- ✓ Silent elastic blocks
- ✓ IP45 rated
- ✓ SELV version - IP57 rated
- ✓ Backdraught shutter and airflow guide vanes as standard
- ✓ Available in silver (SIL100SS & SIL100ST)
- ✓ 5 or 7 year warranty
- ✓ Quiet running
- ✓ High performance
- ✓ Pullcord option
- ✓ Significant energy savings
- ✓ Complies building regulations

PRODUCT

The SILENT 100 is an innovative domestic axial extract fan designed to offer a low level of noise suitable for small rooms and bathrooms. The fan shall be fitted with a pilot light, backdraught shutter and airflow guide vanes as standard. The fan shall be activated via a light switch or independent switch.

APPLICATION SUITABILITY

The SILENT 100 can be wall or ceiling mounted to meet the Building Regulations - Part F (England), Scottish Building Regulations Section 3 and Part K (Northern Ireland). The fan will ventilate domestic small rooms and bathrooms.

INSTALLATION

Full installation guide is enclosed with all products; or sent separately in advance - if required.

MOTOR

The motor is a 230V 50Hz A/C motor, which is assembled on silent elastic blocks and fitted with ball bearings for enhanced working life. The patented silent technology shall ensure minimum noise possible.

FAN

The impeller is axial flow type.

SERVICING / MAINTENANCE

The extract fan only requires periodical cleaning using a cloth impregnated with a soft detergent.

WARRANTY

5 year warranty applies to: SIL100IT, SIL100PIR, SIL100SS, SIL100ST, SIL100S12V, SIL100T12V, SIL100P12V, SIL100TP12V & SIL100HTP12V. 7 year warranty applies to: SIL100S, SIL100T & SIL100HT.

CONTROLS

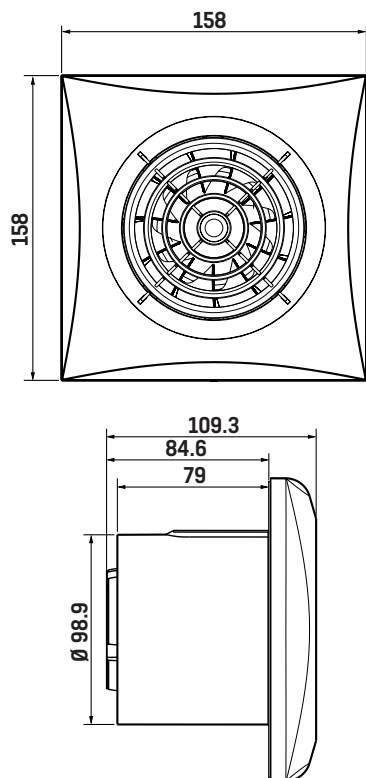
The SILENT 100 is available in various models which include integral controls. The options available include an adjustable timer, intelligent timer, adjustable humidistat sensor, PIR sensor and pullcord. Further details on set points for the timer and humidistat can be found in the installation guide.

TECHNICAL SPECIFICATIONS

Maximum Flow Rate	26l/s (95m ³ /h)
Motor	AC
Electrical Supply	230V / 50Hz
Max Absorbed Power	8W
Protection Class	IP45 (IP57 SELV)
Spigot (mm)	100mm
Dimensions (mm)	158 X 158 X 109.3 (including spigot)
Weight	0.57kg

TECHNICAL DATA SHEET
Silent 100 | Ultra Quiet WC & Bathroom Fan

DIMENSIONS (MM)



PERFORMANCE CURVE

