

This document must be retained for future reference.

It is the responsibility of the person installing the electrical equipment to ensure that the installation meets the requirements of the IET wiring regulations and is therefore 'fit for purpose'. Factors such as correct selection of components, cable sizing, protective devices and Earth bonding are all critical and should be checked prior to full testing and power-up. Any other regulations applicable to the equipment being installed such as the Machinery Directive and current health and safety legislation must also be adhered to.

All connections (including factory made) must be checked for the correct tightness prior to commissioning of the electrical installation. All connections should also be inspected periodically to ensure correct tightness.

DO NOT USE POWER TOOLS ON THESE PRODUCTS



Insulated Distribution Enclosures IP65 Rated



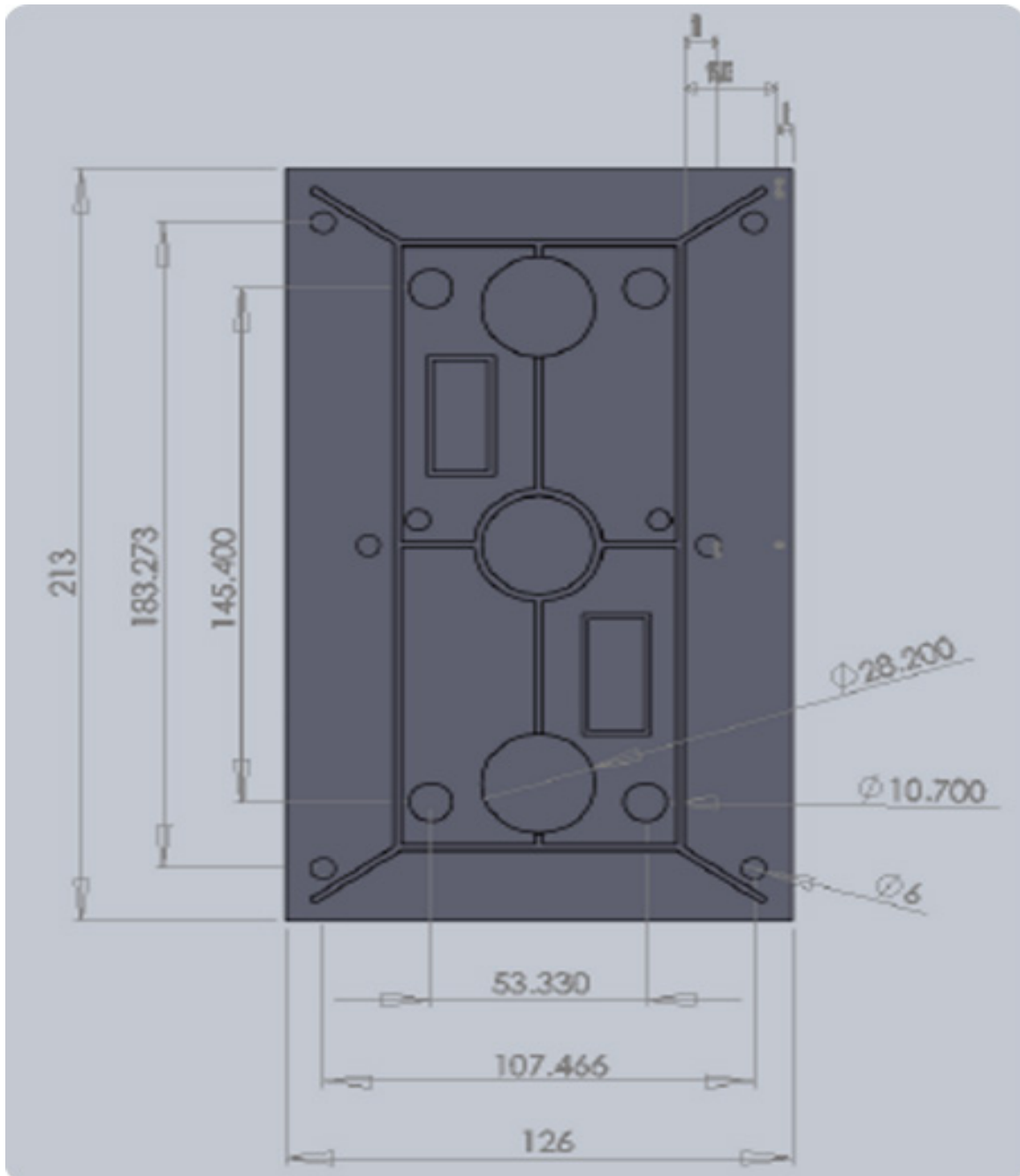
Features & Benefits

- CE Approved
- IP65 Rating
- ABS Enclosure with Polycarbonate Lid
- Earth and Neutral Terminals Included
- Suitable for Din Rail Mounted Electrical Distribution Products

(IP65) Insulated Distribution Enclosure Dimensions

Part Number	Description	Height	Width	Depth
ECW4	4 Module	210mm	125mm	83mm
ECW5	5 Module	210mm	145mm	100mm
ECW6	6 Module	210mm	160mm	100mm
ECW8	8 Module	210mm	215mm	100mm
ECW12	12 Module	215mm	270mm	100mm
ECW18	18 Module	230mm	380mm	100mm
ECW24	24 Module Double Height	340mm	285mm	100mm

ECW4



ECW4

