

⚠ Important Safety Notice ⚠

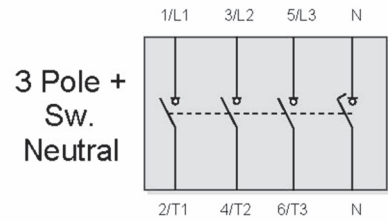
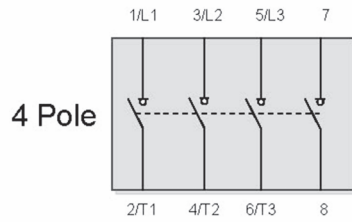
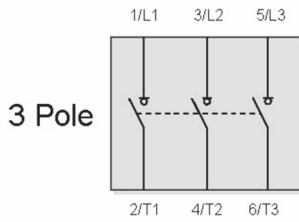
It is the responsibility of the person installing the electrical equipment to ensure that the installation meets the requirements of the IET wiring regulations and is therefore 'fit for purpose'. Factors such as correct selection of components, cable sizing, protective devices and Earth bonding are all critical and should be checked prior to full testing and power-up. Any other regulations applicable to the equipment being installed such as the Machinery Directive and current health and safety legislation must also be adhered to.

Terminals, including factory fitted, should be checked periodically to ensure correct tightness.

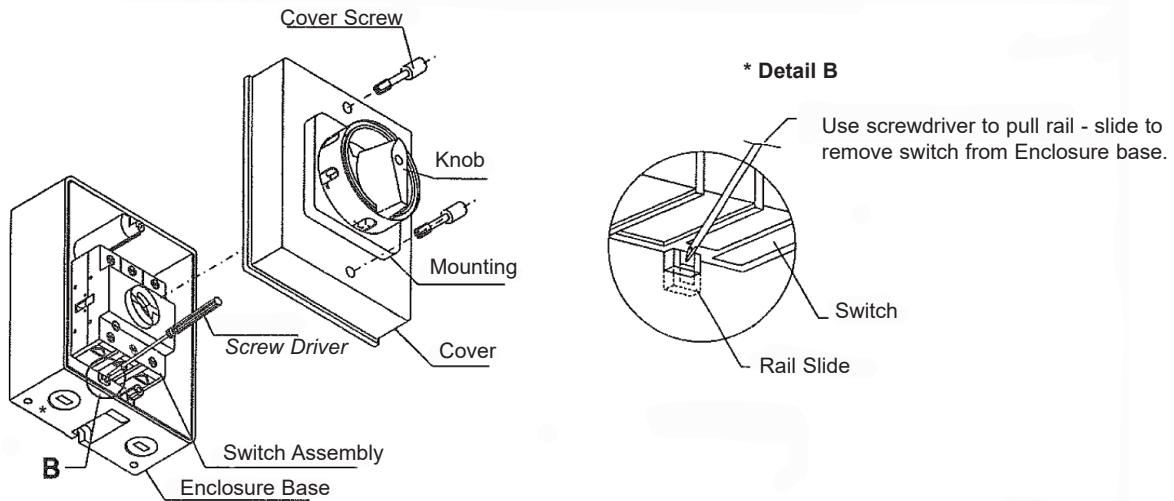


Approvals			CB, CE & SEMKO				
UL Standard			UL508				
International / European Standard			IEC & EN 60947-1 and 3				
IP65			Switch codes				
DATA	Range	Units	LB204P LB203PSN	LB254P LB253PSN	LB323P LB324P LB323PSN	LB403P LB404P LB403PSN	
Rated operational voltage U_e							
IEC & EN	Volts	V	690	690	690	690	
UL	Volts	V	600	600	600	600	
Main switch: Isolating voltage up to	Volts	V	750	750	750	750	
Rated impulse withstand voltage U _{imp}	Volts	kV	6	6	6	6	
Rated uninterrupted current I _u	Amps	A	16	20	25	32	
Rated operational current I_e							
IEC & EN	AC-22A	Up to 690V	A	16	20	25	32
	AC-21A	Up to 690V	A	20	25	32	40
	AC-1	Up to 690V	A	20	25	32	40
Rated operational power AC-23A (50-60Hz)							
IEC & EN	3 Phase	220-240V	kW	7.5	7.5	11	15
		380 - 440V	kW	11	11	15	18.5
		500 - 690V	kW	15	15	22	22
Rated operational power AC-3 (50-60Hz)							
IEC & EN	3 Phase	220-240V	kW	4	5.5	7.5	11
		440V	kW	5.5	7.5	11	11
		690V	kW	11	11	15	15
UL Power Rating							
DOL	3 Phase	120V	hp	1.5	1.5	3	3
		240V	hp	3	3	7.5	7.5
		480V	hp	7.5	7.5	15	20
		600V	hp	10	10	20	25
	1 Phase	120V	hp	0.5	0.5	1.5	2
		240V	hp	1.5	1.5	2	3
UL Short Circuit Ratings							
Fuse rating, class J	Amps	A	-	-	45	45	
Fuse rating, class RK5	Amps	A	20	20	-	-	
Rated Fused short circuit current	Amps	kA	10	10	10	10	
Short Circuit Capacity (IEC)							
Max fuse size (Type gl)	Amps	A	20	20	32	32	
Rated Fused short circuit current	Amps	kA	5	5	30	30	
Terminal Specification							
Single/ Multiple strand wire	Min-mm ²		2.5	2.5	2.5	2.5	
	Max-mm ²		10	10	10	10	
Fine strand with sleeve	Min-mm ²		0.75	0.75	0.75	0.75	
	Max-mm ²		6	6	6	6	
American wire gauge	AWG		10	10	10	10	
Recommended Tightening Torque	Nm		1.7	1.7	1.7	1.7	

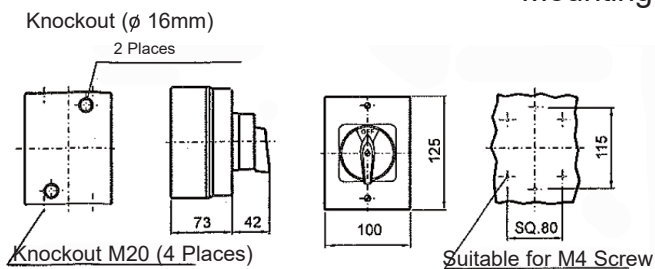
Terminal Configuration



Note: Neutral Contact is Early Make/Late Break



Mounting Details



Procedure to dismantle the cover:

- Ensure the switch is in the **OFF** position
- Unscrew the cover screws & remove the cover
- For easy wiring the switch can be removed from the base & then clicked back into place once wiring is complete
- After wiring ensure the profile orientation of the actuating spindle & knob shaft are in the same position
- Replace the cover & take care not to overtighten the screws (recommended tightening torque 0.5 Nm)
- Do not install using power driven screwdrivers

Please Note: There is no need to remove the switch handle in order to remove the cover.