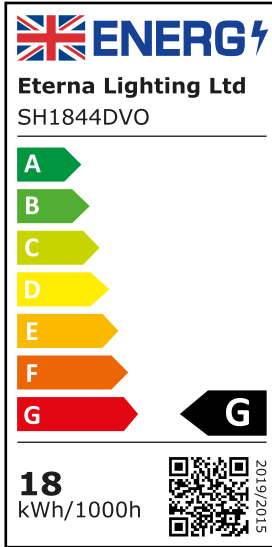
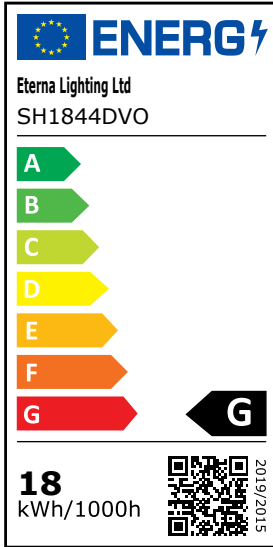


LAMP SPECIFICATIONS:	
Nominal Wattage	18W
Rated Wattage	18W
Average lifetime hours	10,000 hrs
Nominal useful luminous flux	1216 lm
Rated luminous flux	1216 lm
Luminous efficacy (Lm/W) in 50Hz operation	67
Rated lamp Lumen maintenance	2000hrs: 85% 4000 hrs: 78% 8000 hrs: 75%
Rated survival factors	2000hrs: 98% 4000 hrs: 90% 8000 hrs: >50%
Lamp dimensions (mm)	226 x 43
Cap type	2G11
Lamp Mercury content to an accuracy of 0.1mg	<2.5mg
Colour rendering index Ra	≥80
Colour temperature	3500K
Ambient temperature required to achieve maximum luminous flux	25°C
Dimmable	No
Ballast EEI	A2



EVENTUALLY, YOU MAY WANT TO REPLACE THIS PRODUCT:

Regulations require the recycling of Waste from Electrical and Electronic Equipment (European "WEEE Directive" effective August 2005—UK WEEE Regulations effective 2nd January 2007). Environment Agency Registered Producer: WEE/ GA0248QZ.

WHEN YOUR PRODUCT COMES TO THE END OF ITS LIFE OR YOU CHOOSE TO REPLACE IT, PLEASE RECYCLE IT WHERE FACILITIES EXIST - DO NOT DISPOSE WITH HOUSEHOLD WASTE.

CLEANING:

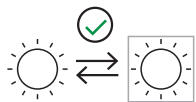
Clean this product only with a soft dry cloth.

The shade may be removed and washed in a mild detergent solution. Turn off power before removing the shade and make sure the shade is completely dry before putting it back on your light fitting.

Do not use any chemical or abrasive cleaners.

IF YOU EXPERIENCE PROBLEMS:

If you believe your product is defective, please return it to the place where you bought it. Our Technical Team will gladly advise on any Eterna Lighting product, but may not be able to give specific instructions regarding individual installations.



See website for more information on replacability and recycling



Email: sales@eterna-lighting.co.uk / technical@eterna-lighting.co.uk

Visit our website: www.eterna-lighting.co.uk

Issue 0821

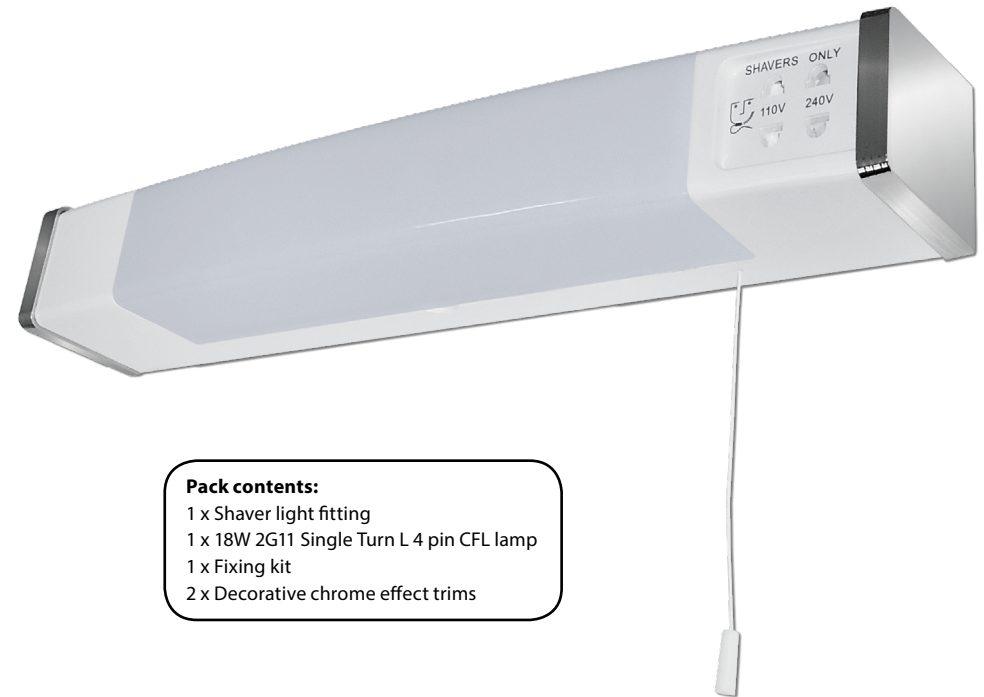
Made in China

Eterna

Everyday Lighting For Professionals

INSTALLATION INSTRUCTIONS

A guide for qualified electricians



Pack contents:

- 1 x Shaver light fitting
- 1 x 18W 2G11 Single Turn L 4 pin CFL lamp
- 1 x Fixing kit
- 2 x Decorative chrome effect trims

Model:

SH1844DVO

Low Energy Dual Voltage Shaver Light

These instructions are provided as a guideline to assist you.

PLEASE READ THESE INSTRUCTIONS BEFORE INSTALLATION AND RETAIN FOR FUTURE REFERENCE

READ THIS FIRST:

Check the pack and make sure you have all of the parts listed on the front of this booklet. If not, contact the outlet where you bought this product.

This product contains glass, care must be taken when assembling, fitting or handling to prevent personal injury or damage to the product.

This product must be installed by a competent person in accordance with the current building and IEE wiring regulations.

As the buyer, installer and/or user of this product it is your own responsibility to ensure that this fitting is fit for the purpose for which you have intended it. Eterna Lighting cannot accept any liability for loss, damage or premature failure resulting from inappropriate use.

This product is designed and constructed according to the principles of the appropriate British Standard and is intended for normal domestic service. Using this fitting in any other environments may result in a shortened working life.

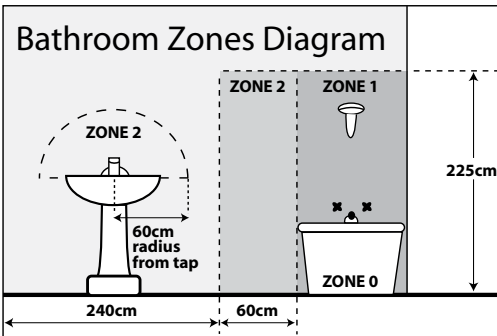
This product is designed and rated as a task light for intermittent usage; it is not suitable for continuous usage and should not be used as the sole light source in a room.

Switch off the mains before commencing installation and remove the appropriate circuit fuse or lock off MCB.

The lamp supplied with this fitting is a consumable part and therefore may be outside of any warranty offered.

This unit is suitable for indoor use only.

This product is suitable for use in living areas, bathroom zone 2 and dry (outside) zones only (see diagram below and current IEE wiring regulations for details). It is not suitable for bathroom Zone 1 or other areas where contact with moisture is likely. If being fitted in a bathroom a 30mA RCD must be used.



This product is designed for permanent connection to fixed wiring: this must be a suitable circuit (protected with the appropriate MCB or fuse).

This product is suitable for installation on surfaces with normal flammability e.g. wood, plasterboard and masonry. It is not suitable for use on highly flammable surfaces (e.g. polystyrene, textiles).

Before making fixing hole(s), check that there are no obstructions hidden beneath the mounting surface such as pipes or cables.

When choosing the location for your new fitting, ensure that the fixings will be anchored in a solid surface e.g. concrete, brick or a joist—do not fix directly onto panelling, cladding, plasterboard etc.

This product must be connected to earth termination.

This product is not intended to be used by children and persons with sensory, physical and/or mental impairments that would prevent them from using it safely.

You are advised at every stage of your installation to double-check any electrical connections you have made. After you have completed your installation there are electrical tests that should be carried out, these tests are specified in the current IEE wiring and building regulations.

LAMP REPLACEMENT:

Switch off the electricity at the mains.

Remove the diffuser.

Remove and replace lamp.

REPLACEMENT LAMP TYPE:

Requires 1 x 18W 2G11 single turn L 4 pin CFL lamp 3500K (included) or energy saving alternative.

Fitting is rated at 18W max.

INSTALLATION:

01. Remove the diffuser by inserting a coin in the slot and levering off (see Fig. 1).
02. Remove the lamp by lifting free the retaining clip and gently pulling away from the lampholder (see Fig. 2 & 3).
03. Place the shaverlight in the desired location and use as a template to mark the fixing points.
04. If fixing directly to the wall, drill holes and use wall plugs provided. If the fixings supplied are not suitable for your application use appropriate alternatives.
05. Remove the screw securing the terminal block cover of the fitting.
06. Make a small hole in the cable entry grommet and thread the supply cable through the hole.
07. Make connections to the fitting:

- a) Brown wire (live) to terminal marked L.
- b) Blue wire (neutral) to terminal marked N.
- c) Green / yellow wire (earth) to terminal marked:



08. Replace the cover and tighten the screw.
09. Secure the fitting in place using the fixing screws.
10. Insert the lamp and replace the diffuser.
11. Fit the decorative trims (if required) by sliding down the grooves at the end of the fitting and click in place (see Fig. 4).
12. Restore power and switch on.

NOTE:

The shaver socket supplied with this unit is designed for standard shaver plugs and may not be suitable for other devices i.e. electric toothbrushes

