

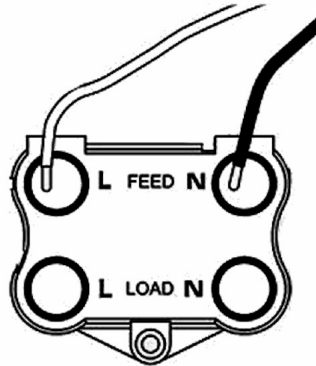
## 7445B

### Hartland | HARTLAND RANGE | Double Pole Switches

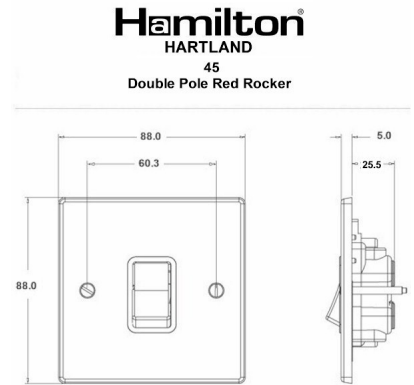
Item Image



Wiring



Dimensions



Primary Range	Hartland
Insert Type	1 gang 45A Double Pole Red Rocker
Insert Colour	Red/Black
EAN13 Barcode	5017503245789
Commodity Code	85363030
Luckins TSI	385552561
Dimensions(Nominal)	Single: Height = 88.0mm Width = 88.0mm Depth = 5.0mm
Weight	156 GR
Switched Poles	Double
Current Rating	45 Amp
Voltage	220/250V AC
Maximum Load	45 Amp
Mains Frequency	50Hz
IP Rating	IP2XD
Contact Gap Minimum	3mm
Terminal Capacity 1	3x6mm <sup>2</sup>
Terminal Capacity 2	2x10mm <sup>2</sup>
Terminal Capacity 3	1x16mm <sup>2</sup>
Earth Terminal Capacity 1	3x6mm <sup>2</sup>
Earth Terminal Capacity 2	2x10mm <sup>2</sup>
Earth Terminal Capacity 3	1x16mm <sup>2</sup>
Product Class 1	Must be earthed
Ambient Operating Temperature	-5° to +40°C
Recommended Location	Internal Use Only
Maximum Installation Altitude	2000m
Standard/Approval	BS EN 60669-1

## 7445B

### Hartland | HARTLAND RANGE | Double Pole Switches

<p>All products listed conform to current British or European standard and the product information is correct at the time of going to press.</p>	<p>All accessories are manufactured under an accredited BS EN ISO 9001 : 2015 Quality Management System.</p>	<p>It is the policy of the company to improve products as part of our development programme. Therefore, we reserve the right to alter designs and dimensions without prior notice.</p>
<p>Illustrations and diagrams are reproduced within the limitations of reproduction and printing process and are not binding.</p>	<p>Due to manufacturing processes we cannot guarantee an exact colour match and shadings of of certain finishes.</p>	<p>Correct as at 18 August 2021 08:32 AM E&amp;OE</p>
<p>R Hamilton &amp; Co Ltd, Unit 10 Carrick Business Centre, 4-5 Bonville Road, Brislington, Bristol, BS4 5NZ  T: +44 (0)1747 860088 F: +44 (0)1179 710414  E: info@hamilton-litestat.com www.hamilton-litestat.com  Registered Office 1 Rushmills, Bedford Road, Northampton NN4 7YB  Registered in London No. 941624 VAT Registration No. 222 6607 84</p>		
<p>7445B - Hartland Satin Steel 1 gang 45A Double Pole Rocker Red/Black</p>		