

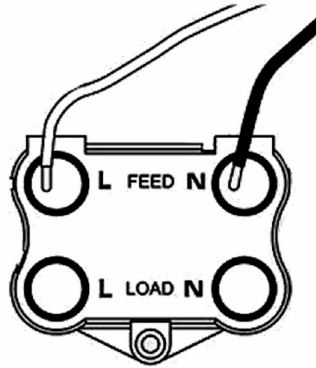
## 7445W

### Hartland | HARTLAND RANGE | Double Pole Switches

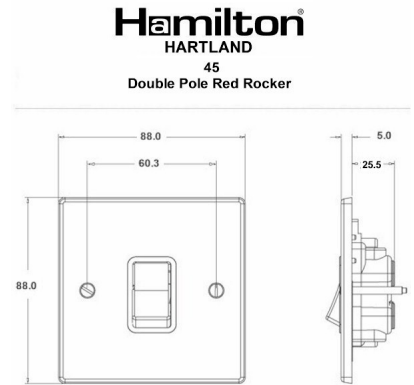
Item Image



Wiring



Dimensions



Primary Range	Hartland
Insert Type	1 gang 45A Double Pole Red Rocker
Insert Colour	Red/White
EAN13 Barcode	5017503244782
Commodity Code	85363030
Luckins TSI	385552639
Dimensions(Nominal)	Single: Height = 88.0mm Width = 88.0mm Depth = 5.0mm
Weight	154 GR
Switched Poles	Double
Current Rating	45 Amp
Voltage	220/250V AC
Maximum Load	45 Amp
Mains Frequency	50Hz
IP Rating	IP2XD
Contact Gap Minimum	3mm
Terminal Capacity 1	3x6mm <sup>2</sup>
Terminal Capacity 2	2x10mm <sup>2</sup>
Terminal Capacity 3	1x16mm <sup>2</sup>
Earth Terminal Capacity 1	3x6mm <sup>2</sup>
Earth Terminal Capacity 2	2x10mm <sup>2</sup>
Earth Terminal Capacity 3	1x16mm <sup>2</sup>
Product Class 1	Must be earthed
Ambient Operating Temperature	-5° to +40°C
Recommended Location	Internal Use Only
Maximum Installation Altitude	2000m
Standard/Approval	BS EN 60669-1

## 7445W

### Hartland | HARTLAND RANGE | Double Pole Switches

All products listed conform to current British or European standard and the product information is correct at the time of going to press.

All accessories are manufactured under an accredited BS EN ISO 9001 : 2015 Quality Management System.

It is the policy of the company to improve products as part of our development programme. Therefore, we reserve the right to alter designs and dimensions without prior notice.

Illustrations and diagrams are reproduced within the limitations of reproduction and printing process and are not binding.

Due to manufacturing processes we cannot guarantee an exact colour match and shadings of of certain finishes.

Correct as at 18 August 2021 08:36 AM E&OE

R Hamilton & Co Ltd, Unit 10 Carrick Business Centre, 4-5 Bonville Road, Brislington, Bristol, BS4 5NZ

T: +44 (0)1747 860088 F: +44 (0)1179 710414

E: [info@hamilton-litestat.com](mailto:info@hamilton-litestat.com) [www.hamilton-litestat.com](http://www.hamilton-litestat.com)

Registered Office 1 Rushmills, Bedford Road, Northampton NN4 7YB

Registered in London No. 941624 VAT Registration No. 222 6607 84



7445W - Hartland Satin Steel 1 gang 45A Double Pole Rocker Red/White