

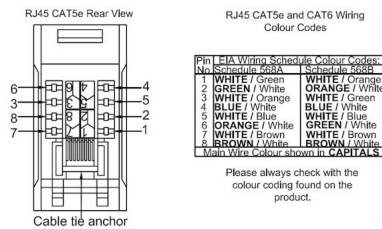
74J45W

Hartland | HARTLAND RANGE | Telephone and Data Outlets

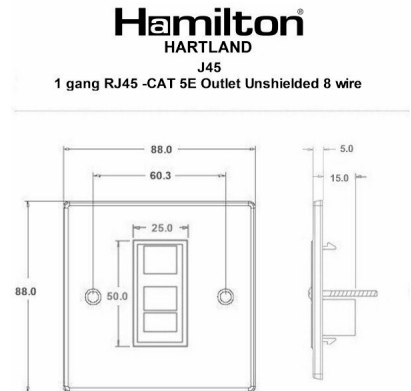
Item Image



Wiring



Dimensions



Primary Range	Hartland	
Insert Type	1 gang RJ45 CAT 5E Outlet - Unshielded	
Insert Colour	White	
EAN13 Barcode	5028690240723	
Commodity Code	85176990	
Luckins TSI	385553340	
Dimensions(Nominal)	Single: Height = 88.0mm Width = 88.0mm Depth = 5.0mm	
Weight	77 GR	
Switched Poles	N/A	
Current Rating	n/a	
IP Rating	IP2XD	
Contact Gap Minimum	N/A	
Earth Terminal Capacity 1	5x1mm ²	
Earth Terminal Capacity 2	4x1.5mm ²	
Earth Terminal Capacity 3	3x2.5mm ²	
Earth Terminal Capacity 4	1 x 4mm ² Multi-Strand	
Earth Terminal Capacity 5	1x6mm ²	
Product Class 1	Must be earthed (ref BS7671 415.2.1)	
Ambient Operating Temperature	-5° to +40°C	
Recommended Location	Internal Use Only	
Maximum Installation Altitude	2000m	
Standard/Approval	N/A	
All products listed conform to current British or European standard and the product information is correct at the time of going to press.	All accessories are manufactured under an accredited BS EN ISO 9001 : 2015 Quality Management System.	It is the policy of the company to improve products as part of our development programme. Therefore, we reserve the right to alter designs and dimensions without prior notice.

74J45W

Hartland | HARTLAND RANGE | Telephone and Data Outlets

Illustrations and diagrams are reproduced within the limitations of reproduction and printing process and are not binding.

Due to manufacturing processes we cannot guarantee an exact colour match and shadings of of certain finishes.

Correct as at 18 August 2021 09:07 AM
E&OE

R Hamilton & Co Ltd, Unit 10 Carrick Business Centre, 4-5 Bonville Road,
Brislington, Bristol, BS4 5NZ

T: +44 (0)1747 860088 F: +44 (0)1179 710414

E: info@hamilton-litestat.com www.hamilton-litestat.com

Registered Office 1 Rushmills, Bedford Road, Northampton NN4 7YB

Registered in London No. 941624 VAT Registration No. 222 6607 84

