

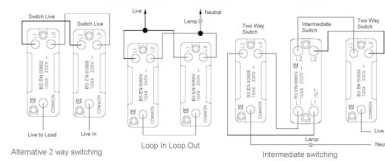
## 87R21BC-W

### Sheer | SHEER RANGE | Rocker Switches

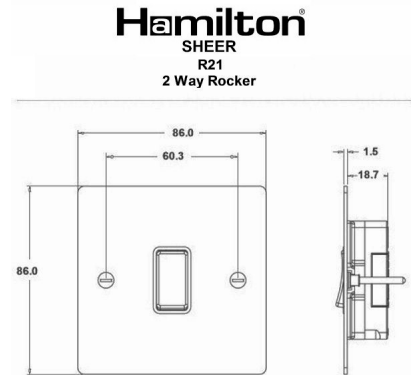
#### Item Image



#### Wiring



#### Dimensions



Primary Range	Sheer
Insert Type	1 gang 10AX 2 Way Rocker
Insert Colour	Bright Chrome/White
EAN13 Barcode	5017503097210
Commodity Code	85363010
Luckins TSI	385561031
Dimensions(Nominal)	Single: Height = 86.0mm Width = 86.0mm Depth = 1.5mm
Weight	123 GR
Switched Poles	Single
Current Rating	10AX
Voltage	220/250V AC
Maximum Load	10 Amp inductive
Mains Frequency	50Hz
IP Rating	IP2XD
Contact Gap Minimum	3mm
Terminal Capacity 1	5x1mm <sup>2</sup>
Terminal Capacity 2	4x1.5mm <sup>2</sup>
Terminal Capacity 3	1x2.5mm <sup>2</sup>
Terminal Capacity 4	1x4mm <sup>2</sup> Multi-strand
Terminal Capacity 5	1x6mm <sup>2</sup>
Earth Terminal Capacity 1	5x1mm <sup>2</sup>
Earth Terminal Capacity 2	4x1.5mm <sup>2</sup>
Earth Terminal Capacity 3	3x2.5mm <sup>2</sup>
Earth Terminal Capacity 4	1x4mm <sup>2</sup> Multi-strand
Earth Terminal Capacity 5	1x6mm <sup>2</sup>
Product Class 1	Must be earthed
Ambient Operating Temperature	-5° to +40°C
Recommended Location	Internal Use Only
Maximum Installation Altitude	2000m

## 87R21BC-W

### Sheer | SHEER RANGE | Rocker Switches

Standard/Approval	BS EN 60669-1	
All products listed conform to current British or European standard and the product information is correct at the time of going to press.	All accessories are manufactured under an accredited BS EN ISO 9001 : 2015 Quality Management System.	It is the policy of the company to improve products as part of our development programme. Therefore, we reserve the right to alter designs and dimensions without prior notice.
Illustrations and diagrams are reproduced within the limitations of reproduction and printing process and are not binding.	Due to manufacturing processes we cannot guarantee an exact colour match and shadings of of certain finishes.	Correct as at 18 August 2021 12:00 PM E&OE
<p>R Hamilton &amp; Co Ltd, Unit 10 Carrick Business Centre, 4-5 Bonville Road, Brislington, Bristol, BS4 5NZ  T: +44 (0)1747 860088 F: +44 (0)1179 710414  E: info@hamilton-litestat.com www.hamilton-litestat.com  Registered Office 1 Rushmills, Bedford Road, Northampton NN4 7YB  Registered in London No. 941624 VAT Registration No. 222 6607 84</p>		
87R21BC-W - Sheer Bright Chrome 1 gang 10AX 2 Way Rocker Bright Chrome/White		