

73BPS

Hartland | HARTLAND RANGE | Blank Plates

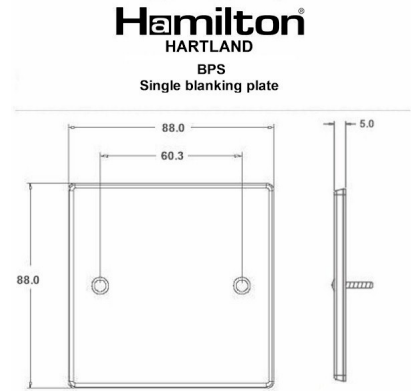
Item Image



Wiring



Dimensions



| | | |
|---|---|---|
| Primary Range | Hartland | |
| Insert Type | Single Blank Plate | |
| Insert Colour | No Insert Colour | |
| EAN13 Barcode | 5017503239887 | |
| Commodity Code | 73269098 | |
| Luckins TSI | 386665046 | |
| Dimensions(Nominal) | Single: Height = 88.0mm Width = 88.0mm Depth = 5.0mm | |
| Weight | 75 GR | |
| Switched Poles | N/A | |
| Current Rating | n/a | |
| IP Rating | N/A | |
| Contact Gap Minimum | N/A | |
| Earth Terminal Capacity 1 | 5x1mm ² | |
| Earth Terminal Capacity 2 | 4x1.5mm ² | |
| Earth Terminal Capacity 3 | 3x2.5mm ² | |
| Earth Terminal Capacity 4 | 1x4mm ² Multi-strand | |
| Earth Terminal Capacity 5 | 1x6mm ² | |
| Product Class 1 | Face plate must be earthed | |
| Recommended Location | Internal Use Only | |
| Maximum Installation Altitude | 2000m | |
| Standard/Approval | N/A | |
| Additional Notes | Plates must be Earthed via the Earth Tag. | |
| All products listed conform to current British or European standard and the product information is correct at the time of going to press. | All accessories are manufactured under an accredited BS EN ISO 9001 : 2015 Quality Management System. | It is the policy of the company to improve products as part of our development programme. Therefore, we reserve the right to alter designs and dimensions without prior notice. |

73BPS

Hartland | HARTLAND RANGE | Blank Plates

Illustrations and diagrams are reproduced within the limitations of reproduction and printing process and are not binding.

Due to manufacturing processes we cannot guarantee an exact colour match and shadings of of certain finishes.

Correct as at 18 August 2021 07:48 AM
E&OE

R Hamilton & Co Ltd, Unit 10 Carrick Business Centre, 4-5 Bonville Road,
Brislington, Bristol, BS4 5NZ

T: +44 (0)1747 860088 F: +44 (0)1179 710414

E: info@hamilton-litestat.com www.hamilton-litestat.com

Registered Office 1 Rushmills, Bedford Road, Northampton NN4 7YB

Registered in London No. 941624 VAT Registration No. 222 6607 84

