


Part number

# TM 1663 IR



Interlocked switched socket-outlet, TM series, 2 poles + PE, 6 h (blue), 16 A, 200 ÷ 250 V, with compartment for modular units, 4,5 DIN-rail modules EN 60715, with base box

## Product description

<b>Product type</b>	Interlocked switched socket-outlet
<b>Series</b>	TM..IR/KIR
<b>N. of poles</b>	2 poles + 
<b>Clock position</b>	6
<b>Size</b>	115 x 450 x 18 mm
<b>Specification</b>	With compartment for modular units, 4,5 DIN-rail modules EN 60715 With base box

## Technical data

<b>Current</b>	16 A
<b>Voltage</b>	200 ÷ 250 V
<b>IP degree of protection</b>	IP66/IP67

## Further technical details

<b>Weight</b>	1.310,00 g
<b>Operating temperature range (min, max)</b>	-25°C ... +40°C
<b>UL 94 flammability rating</b>	V-2
<b>IK rating (impact degree of protection)</b>	IK10

## Material properties

<b>Colour</b>	RAL 7012 grey, RAL 5015 blue
---------------	------------------------------

## Approvals / Standards

<b>Reference standard</b>	EN 60309-1 and -2
---------------------------	-------------------

## General ordering information

<b>EAN13 code</b>	8015747089753
-------------------	---------------

## Packaging Information

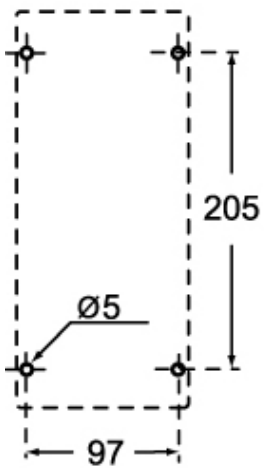
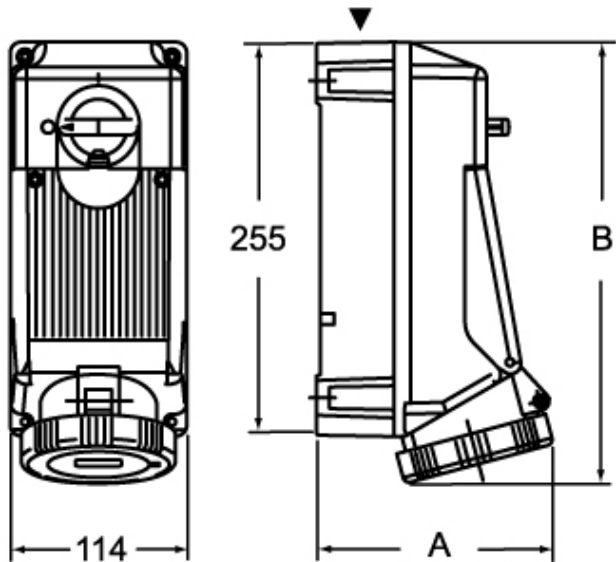
<b>Packaging weight</b>	12,35 kg
<b>Packaging volume</b>	52,36 dm <sup>3</sup>
<b>Packaging description</b>	Carton box
<b>Packaging quantity</b>	9 Pcs
<b>Packaging EAN code</b>	8015747089760
<b>Sub-packaging weight</b>	1,37 kg
<b>Sub-packaging description</b>	Plastic packaging
<b>Sub-packaging quantity</b>	1 Pcs
<b>Sub-packaging EAN barcode</b>	8015747089777

Part number

# TM 1663 IR



Catalogue drawings



	A	B
<b>2P+⊕</b>	133	276
<b>3P+⊕</b>	135	276
<b>3P+N+⊕</b>	140	277

## Notes

Dimensions shown in mm are not binding and may be changed without notice.