

Part number

TM 3265 IR



Interlocked switched socket-outlet, TM series, 3 poles + N + PE, 6 h (red), 32 A, 200/346 ÷ 240/415 V, with compartment for modular units, 6 DIN-rail modules EN 60715, with base box

Product description

Product type	Interlocked switched socket-outlet
Series	TM..IR/KIR
N. of poles	3 poles + N + \perp
Clock position	6
Size	145 x 565 x 18 mm
Specification	With compartment for modular units, 6 DIN-rail modules EN 60715 With base box

Technical data

Current	32 A
Voltage	200/346 ÷ 240/415 V
IP degree of protection	IP66/IP67

Further technical details

Weight	2.825,00 g
Operating temperature range (min, max)	-25°C ... +40°C
UL 94 flammability rating	V-2
IK rating (impact degree of protection)	IK10

Material properties

Colour	RAL 7012 grey, RAL 3000 red
---------------	-----------------------------

Approvals / Standards

Reference standard	EN 60309-1 and -2
---------------------------	-------------------

General ordering information

EAN13 code	8015747092005
-------------------	---------------

Packaging Information

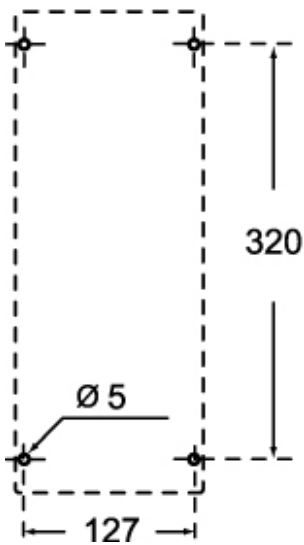
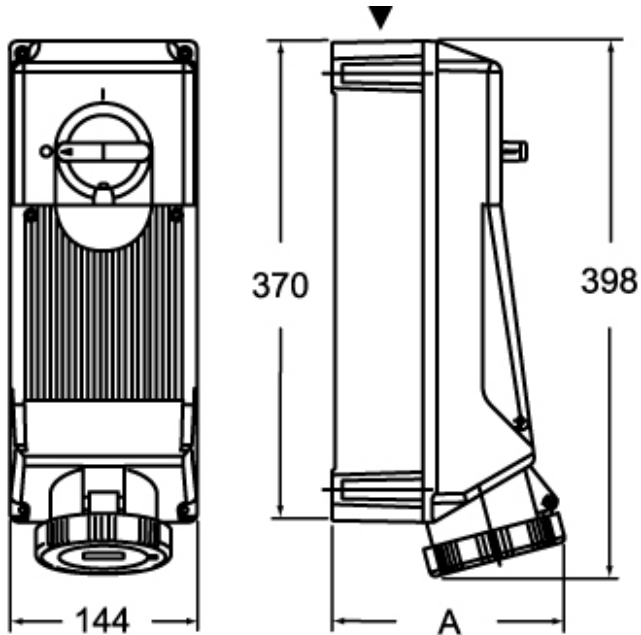
Sub-packaging length	150,00 mm
Sub-packaging height	188,00 mm
Sub-packaging width	430,00 mm
Sub-packaging weight	2,83 kg
Sub-packaging volume	12,13 dm ³
Sub-packaging description	Carton box
Sub-packaging quantity	1 Pcs
Sub-packaging EAN barcode	8015747092029

Part number

TM 3265 IR



Catalogue drawings



	A
2P+⊕	162
3P+⊕	162
3P+N+⊕	169

Notes

Dimensions shown in mm are not binding and may be changed without notice.