



Power contactor
BF32

Product designation

Product type designation

Contact characteristics

Number of poles	Nr.	3
Rated insulation voltage U_i IEC/EN	V	690
Rated impulse withstand voltage U_{imp}	kV	6
Operational frequency	min	Hz 25
	max	Hz 400
IEC Conventional free air thermal current I_{th}	A	56
Operational current I_e	AC-1 ($\leq 40^\circ\text{C}$)	A 56
	AC-1 ($\leq 55^\circ\text{C}$)	A 45
	AC-1 ($\leq 70^\circ\text{C}$)	A 40
	AC-3 ($\leq 440\text{V} \leq 55^\circ\text{C}$)	A 32
	AC-4 (400V)	A 13.5
Rated operational power AC-3 ($T \leq 55^\circ\text{C}$)	230V	kW 8.8
	400V	kW 16
	415V	kW 17
	440V	kW 17
	500V	kW 20
	690V	kW 22
Rated operational power AC-1 ($T \leq 40^\circ\text{C}$)	230V	kW 21
	400V	kW 36
	500V	kW 45
	690V	kW 62
IEC max current I_e in DC1 with $L/R \leq 1\text{ms}$ with 1 poles in series	$\leq 24\text{V}$	A 30
	48V	A 26
	75V	A 22
	110V	A 8
	220V	A –
IEC max current I_e in DC1 with $L/R \leq 1\text{ms}$ with 2 poles in series	$\leq 24\text{V}$	A 32
	48V	A 32
	75V	A 28
	110V	A 25
	220V	A 3
IEC max current I_e in DC1 with $L/R \leq 1\text{ms}$ with 3 poles in series	$\leq 24\text{V}$	A 32
	48V	A 32
	75V	A 32
	110V	A 27

	220V	A	23
<hr/>			
IEC max current I_e in DC1 with $L/R \leq 1$ ms with 4 poles in series			
	≤ 24 V	A	–
	48V	A	–
	75V	A	–
	110V	A	–
	220V	A	–
<hr/>			
IEC max current I_e in DC3-DC5 with $L/R \leq 15$ ms with 1 poles in series			
	≤ 24 V	A	20
	48V	A	17
	75V	A	15
	110V	A	2,5
	220V	A	–
<hr/>			
IEC max current I_e in DC3-DC5 with $L/R \leq 15$ ms with 2 poles in series			
	≤ 24 V	A	25
	48V	A	22
	75V	A	20
	110V	A	15
	220V	A	3
<hr/>			
IEC max current I_e in DC3-DC5 with $L/R \leq 15$ ms with 3 poles in series			
	≤ 24 V	A	30
	48V	A	28
	75V	A	28
	110V	A	20
	220V	A	23
<hr/>			
IEC max current I_e in DC3-DC5 with $L/R \leq 15$ ms with 4 poles in series			
	≤ 24 V	A	–
	48V	A	–
	75V	A	–
	110V	A	–
	220V	A	–
<hr/>			
Short-time allowable current for 10s (IEC/EN60947-1)		A	320
<hr/>			
Protection fuse			
	gG (IEC)	A	63
	aM (IEC)	A	32
<hr/>			
Making capacity (RMS value)		A	320
<hr/>			
Breaking capacity at voltage			
	440V	A	256
	500V	A	240
	690V	A	192
<hr/>			
Resistance per pole (average value)		m Ω	2
<hr/>			
Power dissipation per pole (average value)			
	I_{th}	W	6
	AC3	W	2
<hr/>			
Tightening torque for terminals			
	min	Nm	2.5
	max	Nm	3
	min	lbin	1.8
	max	lbin	2.2
<hr/>			
Tightening torque for coil terminal			
	min	Nm	0.8
	max	Nm	1
	min	lbin	0.8

		max	lbin	0.74
Max number of wires simultaneously connectable			Nr.	2
Conductor section	AWG/Kcmil	max		6
Flexible w/o lug conductor section		min	mm ²	2.5
		max	mm ²	16
Flexible c/w lug conductor section		min	mm ²	1
		max	mm ²	10
Flexible with insulated spade lug conductor section		min	mm ²	1
		max	mm ²	10
Power terminal protection according to IEC/EN 60529				IP20 when wired
Mechanical features				
Operating position		normal allowable		Vertical plan ±30°
Fixing				Screw / DIN rail 35mm
Weight			g	428
Conductor section	AWG/kcmil conductor section	max		6
Operations				
Mechanical life			cycles	20000000
Electrical life			cycles	1600000
Safety related data				
Performance level B10d according to EN/ISO 13489-1		rated load mechanical load	cycles	1600000
			cycles	20000000
Mirror contacts according to IEC/EN 60947-4-1				yes
EMC compatibility				yes
AC coil operating				
Rated AC voltage at 50/60Hz			V	110
AC operating voltage	of 50/60Hz coil powered at 50Hz			
	pick-up	min	%Us	80
		max	%Us	110
	drop-out	min	%Us	20
		max	%Us	55
	of 50/60Hz coil powered at 60Hz			
	pick-up	min	%Us	85
		max	%Us	110
	drop-out	min	%Us	20
		max	%Us	55
AC average coil consumption at 20°C	of 50/60Hz coil powered at 50Hz			

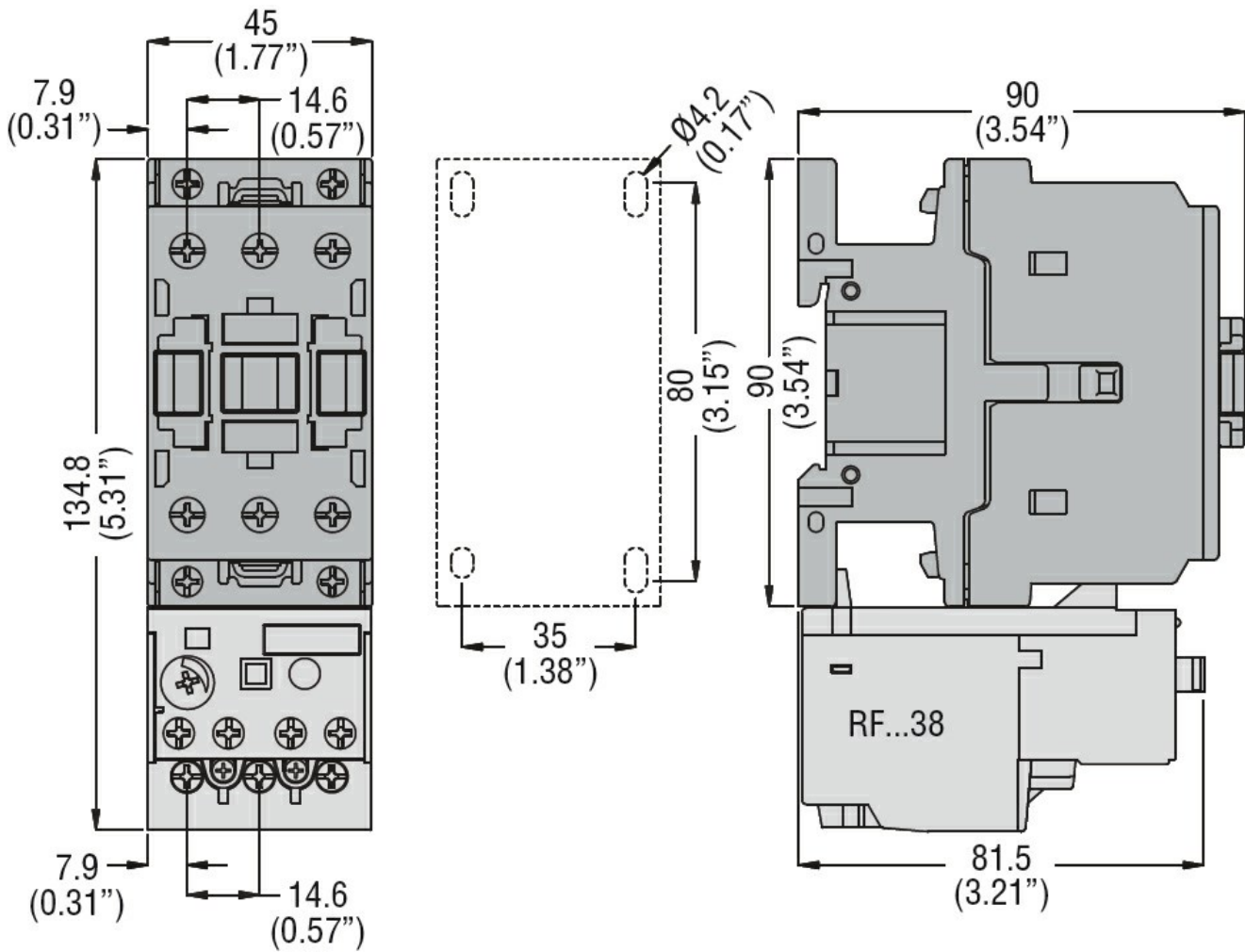
	in-rush	VA	75
	holding	VA	9
of 50/60Hz coil powered at 60Hz			
	in-rush	VA	70
	holding	VA	6.5
of 60Hz coil powered at 60Hz			
	in-rush	VA	75
	holding	VA	9
Dissipation at holding $\leq 20^\circ\text{C}$ 50Hz			W 2.5
Max cycles frequency			
Mechanical operation			cycles/h 3600
Operating times			
Average time for U_s control			
in AC			
Closing NO			
	min	ms	8
	max	ms	24
Opening NO			
	min	ms	5
	max	ms	15
Closing NC			
	min	ms	9
	max	ms	20
Opening NC			
	min	ms	9
	max	ms	17
UL technical data			
Full-load current (FLA) for three-phase AC motor			
	at 480V	A	27
	at 600V	A	27
Yielded mechanical performance			
for single-phase AC motor			
	110/120V	HP	3
	230V	HP	7.5
for three-phase AC motor			
	200/208V	HP	10
	220/230V	HP	10
	460/480V	HP	20
	575/600V	HP	25
General USE			
Contactor			
	AC current	A	55
Short-circuit protection fuse, 600V			
High fault			
	Short circuit current	kA	100
	Fuse rating	A	100
	Fuse class		J
Standard fault			
	Short circuit current	kA	5
	Fuse rating	A	125
Ambient conditions			
Temperature			
Operating temperature			
	min	$^\circ\text{C}$	-50

Storage temperature	max	°C	70
	min	°C	-60
Max altitude	max	°C	80
		m	3000

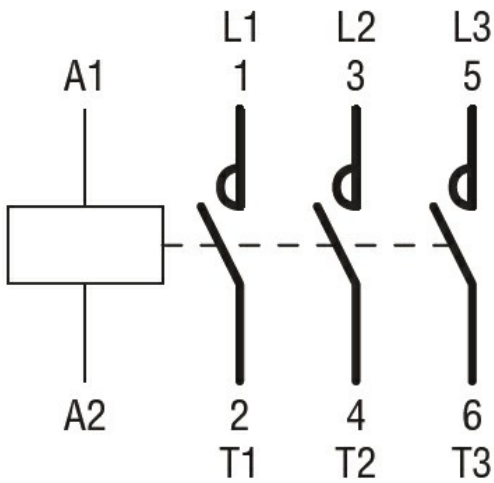
Resistance & Protection

Pollution degree	3
------------------	---

Dimensions



Wiring diagrams



Certifications and compliance

Compliance

CSA C22.2 n° 60947-1

CSA C22.2 n° 60947-4-1

IEC/EN 60947-1

IEC/EN 60947-4-1

UL 60947-1

UL 60947-4-1

Certificates

CCC

cULus

EAC

ETIM classification

ETIM 8.0

EC000066 -
 Power contactor,
 AC switching