



Auxiliary
contactor
BG12

Product designation

Product type designation

Contact characteristics

Number of poles	Nr.	3
Rated insulation voltage U_i IEC/EN	V	690
Rated impulse withstand voltage U_{imp}	kV	6
Operational frequency	min	Hz 25
	max	Hz 400
IEC Conventional free air thermal current I_{th}	A	20
Operational current I_e	AC-1 ($\leq 40^\circ\text{C}$)	A 20
	AC-1 ($\leq 55^\circ\text{C}$)	A 0
	AC-3 ($\leq 440\text{V} \leq 55^\circ\text{C}$)	A 12
	AC-4 (400V)	A 4.8
Rated operational power AC-3 ($T \leq 55^\circ\text{C}$)	230V	kW 3.2
	400V	kW 5.7
	415V	kW 6.2
	440V	kW 5.5
	500V	kW 5
	690V	kW 5
Rated operational power AC-1 ($T \leq 40^\circ\text{C}$)	230V	kW 8
	400V	kW 14
	500V	kW 16
	690V	kW 22
IEC max current I_e in DC1 with $L/R \leq 1\text{ms}$ with 1 poles in series	$\leq 24\text{V}$	A 12
	48V	A 10
	75V	A 4
	110V	A 3
	220V	A –
IEC max current I_e in DC1 with $L/R \leq 1\text{ms}$ with 2 poles in series	$\leq 24\text{V}$	A 15
	48V	A 14
	75V	A 9
	110V	A 8
	220V	A –
IEC max current I_e in DC1 with $L/R \leq 1\text{ms}$ with 3 poles in series	$\leq 24\text{V}$	A 16
	48V	A 16
	75V	A 10
	110V	A 10
	220V	A 2

IEC max current I_e in DC1 with $L/R \leq 1$ ms with 4 poles in series

≤ 24 V	A	–
48V	A	–
75V	A	–
110V	A	–
220V	A	–

IEC max current I_e in DC3-DC5 with $L/R \leq 15$ ms with 1 poles in series

≤ 24 V	A	7
48V	A	6
75V	A	2
110V	A	1
220V	A	–

IEC max current I_e in DC3-DC5 with $L/R \leq 15$ ms with 2 poles in series

≤ 24 V	A	8
48V	A	8
75V	A	5
110V	A	4
220V	A	–

IEC max current I_e in DC3-DC5 with $L/R \leq 15$ ms with 3 poles in series

≤ 24 V	A	10
48V	A	10
75V	A	6
110V	A	5
220V	A	0,8

IEC max current I_e in DC3-DC5 with $L/R \leq 15$ ms with 4 poles in series

≤ 24 V	A	–
48V	A	–
75V	A	–
110V	A	–
220V	A	–

Short-time allowable current for 10s (IEC/EN60947-1)

A	96
---	----

Protection fuse

gG (IEC)	A	20
aM (IEC)	A	16

Making capacity (RMS value)

A	120
---	-----

Breaking capacity at voltage

440V	A	96
500V	A	72
690V	A	72

Resistance per pole (average value)

m Ω	10
------------	----

Power dissipation per pole (average value)

I _{th}	W	4
AC3	W	1.4

Tightening torque for terminals

min	Nm	0.8
max	Nm	1
min	lbin	9
max	lbin	9

Tightening torque for coil terminal

min	Nm	0.8
max	Nm	1
min	lbin	9
max	lbin	9

Max number of wires simultaneously connectable	Nr.	2	
Conductor section			
AWG/Kcmil	max	12	
Flexible w/o lug conductor section	min	mm ²	0.8
	max	mm ²	2.5
Flexible c/w lug conductor section	min	mm ²	1.5
	max	mm ²	2.5
Flexible with insulated spade lug conductor section	min	mm ²	1.5
	max	mm ²	2.5
Power terminal protection according to IEC/EN 60529		IP20	
Mechanical features			
Operating position	normal allowable	Vertical plan ±30°	
Fixing		Screw / DIN rail 35mm	
Weight		g	200
Conductor section			
AWG/kcmil conductor section	max	12	
Auxiliary contact characteristics			
Thermal current I _{th}		A	10
IEC/EN 60947-5-1 designation		A600	
Operating current AC15			
	230V	A	3
	400V	A	1.9
	500V	A	1.4
Operating current DC12			
	110V	A	2.9
Operating current DC13			
	24V	A	2.9
	48V	A	1.4
	60V	A	1.2
	110V	A	0.6
	125V	A	0.55
	220V	A	0.3
	600V	A	0.1
Operations			
Mechanical life		cycles	2000000
Electrical life		cycles	500000
Safety related data			
Performance level B10d according to EN/ISO 13489-1			
	rated load	cycles	500000
	mechanical load	cycles	20000000
Mirror contacts according to IEC/EN 60947-4-1		YES	
EMC compatibility		YES	
AC coil operating			
Rated AC voltage at 50/60Hz		V	230
AC operating voltage			

of 50/60Hz coil powered at 50Hz			
pick-up	min	%Us	75
	max	%Us	115
drop-out			
min	%Us	20	
max	%Us	55	
of 50/60Hz coil powered at 60Hz			
pick-up	min	%Us	80
	max	%Us	115
drop-out			
min	%Us	20	
max	%Us	55	

AC average coil consumption at 20°C

of 50/60Hz coil powered at 50Hz			
in-rush	VA	30	
holding	VA	4	
of 50/60Hz coil powered at 60Hz			
in-rush	VA	25	
holding	VA	3	
of 60Hz coil powered at 60Hz			
in-rush	VA	30	
holding	VA	4	

Dissipation at holding $\leq 20^\circ\text{C}$ 50Hz

W 0.9

Max cycles frequency

Mechanical operation

cycles/h 3600

Operating times

Average time for U_s control

in AC

Closing NO

min ms 12
max ms 21

Opening NO

min ms 9
max ms 18

Closing NC

min ms 17
max ms 26

Opening NC

min ms 7
max ms 17

in DC

Closing NO

min ms 18
max ms 25

Opening NO

min ms 2
max ms 3

Closing NC

min ms 3
max ms 5

Opening NC

min ms 11

max ms 17

UL technical data

Full-load current (FLA) for three-phase AC motor

at 480V	A	11
at 600V	A	11

Yielded mechanical performance

for single-phase AC motor

110/120V	HP	0.5
230V	HP	1.5

for three-phase AC motor

200/208V	HP	3
220/230V	HP	3
460/480V	HP	7.5
575/600V	HP	10

General USE

Contactor

AC current	A	20
------------	---	----

Short-circuit protection fuse, 600V

High fault

Short circuit current	kA	100
Fuse rating	A	30
Fuse class	J	

Standard fault

Short circuit current	kA	5
Fuse rating	A	30

Contact rating of auxiliary contacts according to UL

A600 - Q600

Ambient conditions

Temperature

Operating temperature

min	°C	-50
max	°C	+70

Storage temperature

min	°C	-60
max	°C	+80

Max altitude

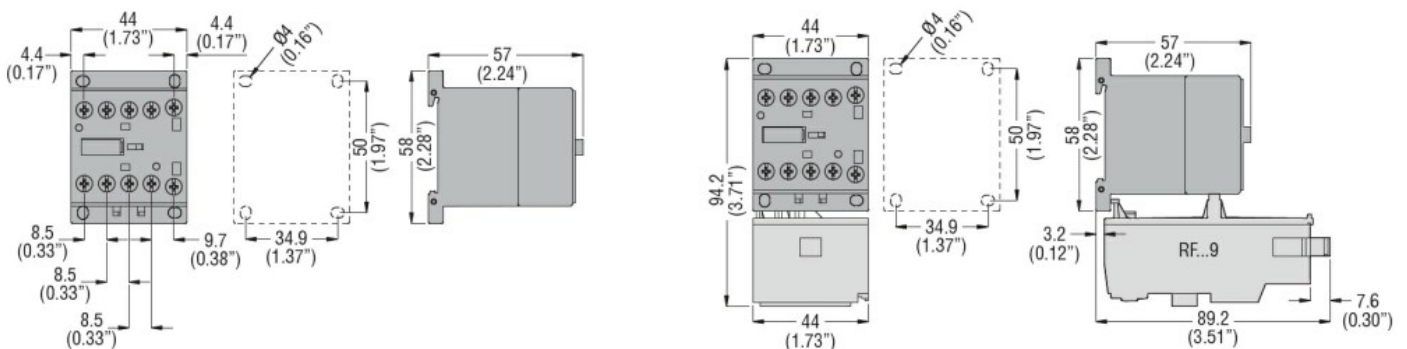
m 3000

Resistance & Protection

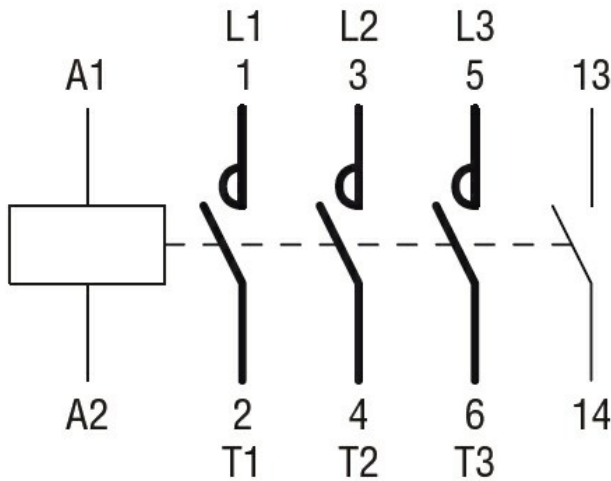
Pollution degree

3

Dimensions



Wiring diagrams



Certifications and compliance

Compliance

CSA C22.2 n° 60947-1

CSA C22.2 n° 60947-4-1

IEC/EN 60947-1

IEC/EN 60947-4-1

UL 60947-1

UL 60947-4-1

Certificates

CCC

cULus

EAC

ETIM classification

ETIM 8.0

EC000066 -
 Power contactor,
 AC switching