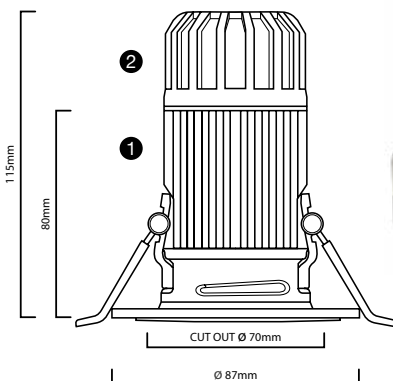


## Fire Rated Downlight 10W LED

- Fire rated to 30, 60 and 90 minutes
- 10W dimmable LED up to 800 Lumen
- Complete with 4 colour bezels
- 240V AC – no driver required
- IC (Insulation Cover) supplied as standard
- Plug & play connector
- Beam spread: 38°
- IP Rating: IP65
- 3 Colour temperatures:  
3000, 4000 and 6000K
- Colour rendering index: >80
- Rated Life: 50,000 hours
- Options available:
  - Emergency 3 hour remote pack: **LXLPF2-4SP200-EM3**
  - Polished black colour bezel: **LXFRD10/PBB**



Part No.	Description	Wattage	Lumen Output	IP Rating	Colour Temperature
LXFRD10WW	LED Warm white	10W	720Lm	IP65	3000K
LXFRD10NW	LED Neutral white	10W	750Lm	IP65	4000K
LXFRD10CW	LED Cool white	10W	800Lm	IP65	6000K



- 1 Luxna LED Downlight 10W AC including spring clips
- 2 Optional: IC cover. Clip On/Off, as required
- 3 Plug and play connection terminal block
- 4 Optional: 4 colour bezels. Polished chrome, brass, white and brushed chrome.



Email [sales@luxna.co.uk](mailto:sales@luxna.co.uk)



Web [luxna-lighting.com](http://luxna-lighting.com)