

LXLPF2-900-DTD



DUAL DIM Technology, Supports Touch (push) and DALI dimming.

LUXNA Dimmable Drivers provide an advanced performance solution for powering high-brightness LEDs from a mains supply.

- Touch (push) Control using `push to make` or retractive switch
- Low Flicker
- Power factor corrected: >0.95
- Self resetting thermal trip
- Surge protection up to 4kV
- SELV Isolation
- Class II
- Wire size: 0.5mm to 1.5mm² - Solid/Fine strand
- Push wire terminals

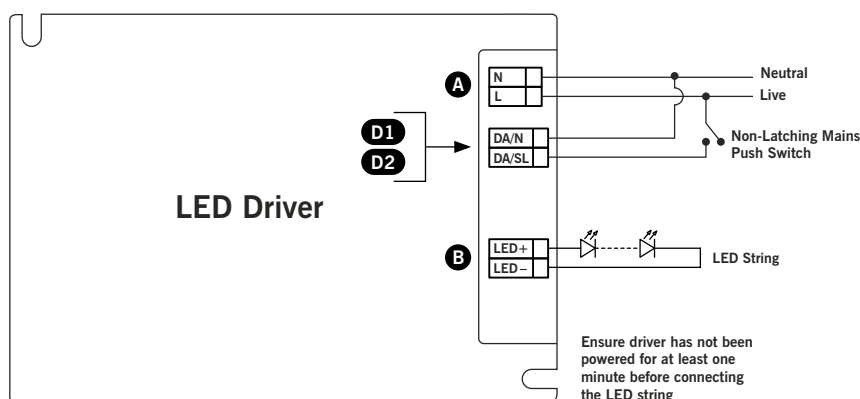


Screw down terminal covers

Wiring Diagram

Touch (push) dimming

- A** Supply Input
- B** Output to LED luminaire
- D1** Touch (push) Dimming control
- D2** DALI Dimming control



Technical Specification

Part No.	Dimming Type	Input Voltage	Constant Current	LED String Voltage	Output Power Range	Power Factor	Max. Tc Temp.	Ambient Temp. Range	Measurement L x W x H	Weight
LXLPF2-900-DTD	Touch and DALI	220-240V AC 50/60Hz	900mA	16V to 55V	15W to 50W	>0.95	85°C	-25°C to 50°C	166 x 85 x 22mm	235g

Product Compatibility

LED Recessed Panel: LXPAN30LED66*, LXPAN33LED66*/UGR19, LXPAN30LED66*/IP54, LXPAN28LED63*

LED Recessed Downlight: LXPLR18*, LXPLS18*, LXPLR24*, LXPLS24*

*Add colour temperature (WW, NW or CW)

