

Technical Data Sheet

Product Code

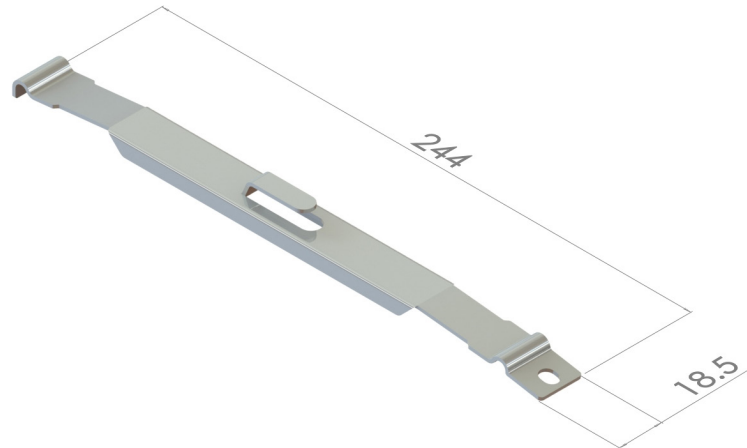
MCQC

Product Description

Quick coupler

Product Dimensions

230 x 18.5 x 1.40 mm



Utilisation:

Couple steel wire cable trays
For use with MC30, MC55 and MC105 trays

Applicable Standards:

BS EN 61537 (Cable tray systems)
BS EN ISO 2081 (Metallic and other inorganic coatings)
BS EN ISO 1461 (Hot dip galvanized coatings)

Product Specification:

Manufactured: Power pressed from stripped steel

Material Specification:(if applicable)

65Mn Sprung steel

C	Si	Mn	P	S	Cr	Ni	Cu	Mo
0.67%	0.25%	0.97%	0.024%	0.005%	0.05%	0.015%	0.063%	0.002%

Yield Strength	785 MPa
Tensile Strength	981 MPa
Elongation	21%

The above are typical test results and do not constitute any part of a specification

Finishes:

MCQC - Electro Zinc (EZ), suitable for use with EZ cable trays
MCQCGT - GT 321 (Geomet®), suitable for use with EZ, HDG and PG cable trays

Technical Data Sheet

Product Code

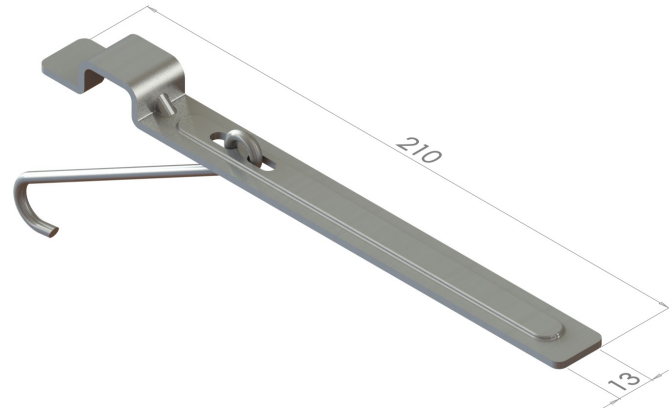
MCQCP

Product Description

Quick coupler puller

Product Dimensions

210 x 13 x 2.5 mm



Utilisation:

Removing MCQC from trays

Applicable Standards:

BS EN 61537 (Cable tray systems)
BS EN ISO 2081 (Metallic and other inorganic coatings)

Product Specification:

Manufactured: Power pressed from stripped steel

Material Specification:(if applicable)

MS 2.5mm Q235

C	Si	Mn	P	S
0.16%	0.24%	0.43%	0.015%	0.021%

The above are typical test results and do not constitute any part of a specification

Finishes:

MCQCP - Electro Zinc (EZ), suitable for use with EZ cable trays