

# Technical Data Sheet

---

## Product Code

MTS3

## Product Description

Apollo - 3 Compartment skirting perimeter trunking

## Product Dimensions

170 x 50mm Profile

3 Metre Length



## Applicable Standards:

BS6701 (Telecommunications equipment and cabling)  
ISO/IEC 11801 (ED2.0 Amd 2) (Generic cabling for customers premises)  
Cenlec (BSEN50173 Part 1/2, BSEN50174-2) (Generic cabling and installation)  
BS4678 Pt 4 (Cable Trunking)  
BS7671 (IEE Regulations) (Wiring Regulations)

## Product Specification:

Description: 3 compartment, skirting perimeter trunking  
Material Compliance: RoHS & WEEE Compliant  
Manufactured: Extruded from Pellets

## Material Specification:(if applicable)

Description: A Calcium/Zinc stabilised, medium/  
high impact uPVC

PROPERTY	Standard	UNITS	VALUE
Specific Gravity	BS2782 620A	g/cc	1.50
Vicat Softening Point	BS2782 (B50) 1990 120B	°C	78
Tensile Strength @ Yield	BS2782 320A-F	MPa	40

The above are typical test results and do not constitute any part of a specification

## Colours:

MTS3 - Pure White  
MTS3LG - Light Grey  
MTS3CH - Charcoal  
MTS3LGL - Light Grey centre lid  
MTS3CHL - Charcoal centre lid

## Additional Finishes:

MTS3AM - Anti-Microbial

## Base:

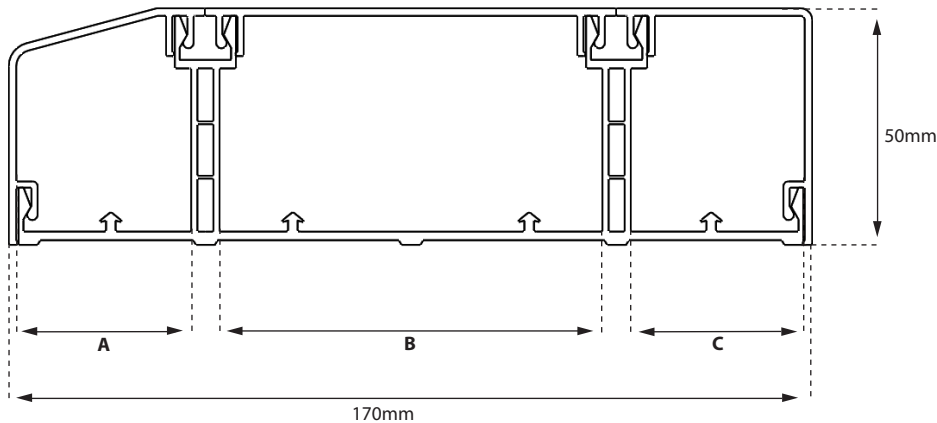
Pre Punched for wall mounting at 200mm intervals

## Screening:

MTAS - Slide in steel screening divider top and bottom  
MTD105 - Slide in uPVC divider with 4 possible positions

## Technical Data Sheet

### Dimensions and Cable Capacities



Compartment width in (mm)

A	B	C
37	81	37

### Data

DATA CABLE DIAMETER (mm)	NOMINAL CSA (mm <sup>2</sup> )	COMPARTMENT A 1470mm <sup>2</sup>	COMPARTMENT B			COMPARTMENT C 1591mm <sup>2</sup>
			3590mm <sup>2</sup>	3590mm <sup>2</sup> and 25mm back box (1891mm <sup>2</sup> )	3590mm <sup>2</sup> and 35mm back box (1170mm <sup>2</sup> )	
		45% Fill (661.5mm <sup>2</sup> )	45% Fill (1615.5mm <sup>2</sup> )	45% Fill (851mm <sup>2</sup> )	45% Fill (526mm <sup>2</sup> )	45% Fill (716mm <sup>2</sup> )
5	19.6	33	82	43	26	36
5.5	23.8	27	67	35	22	30
6	28.3	23	57	30	18	25
6.5	33.2	19	48	25	15	21
7	38.5	17	41	22	13	18

### Power

POWER CABLE CONDUCTOR CSA(mm <sup>2</sup> )	CABLE FACTOR	COMPARTMENT A 1595mm <sup>2</sup>	COMPARTMENT B			COMPARTMENT C 1591mm <sup>2</sup>
			3590mm <sup>2</sup>	3590mm <sup>2</sup> and 25mm back box (1891mm <sup>2</sup> )	3590mm <sup>2</sup> and 35mm back box (1170mm <sup>2</sup> )	
		45% Fill (716mm <sup>2</sup> )	45% Fill (1615.5mm <sup>2</sup> )	45% Fill (851mm <sup>2</sup> )	45% Fill (526mm <sup>2</sup> )	45% Fill (716mm <sup>2</sup> )
1.5	8.6	76	187	98	61	83
2.5	12.6	51	126	67	41	55
4	16.6	39	97	51	31	43
6	21.2	31	76	40	25	33