

# Technical Data Sheet

## Product Code

MTP1

## Product Description

Power pole, aluminium body, uPVC lids

## Product Dimensions

100 x 100 mm Profile

3.6 Metre Length

Up to 5 metre power poles available

## Applicable Standards:

BS6701 (Telecommunications equipment and cabling)  
ISO/IEC 11801 (ED2.0 Amd 2) (Generic cabling for customers premises)  
Cenlec (BSEN50173 Part 1/2, BSEN50174-2) (Generic cabling and installation)  
BS4678 Pt 4 (Cable Trunking)  
BS7671 (IEE Regulations) (Wiring Regulations)

## Product Specification:

Description: Aluminium power pole  
Material Compliance: RoHS & WEEE Compliant  
Manufactured: Extruded Aluminium

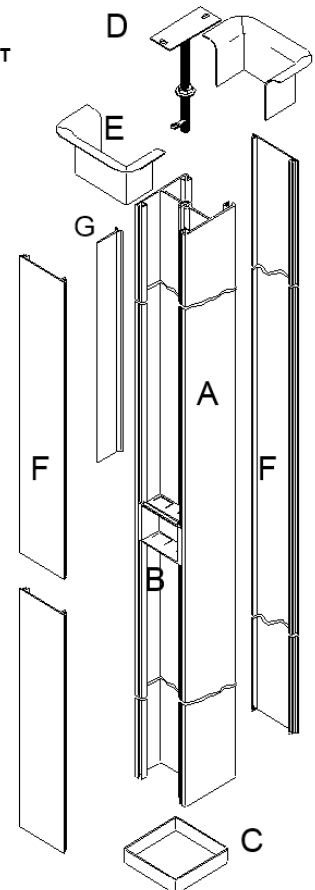
## Material Specification:(if applicable)

Aluminium Alloy EN-AW 6063

Cu	Si	Mn	Fe	Mg	Cr	Zn	Ti	Others		Al
								Each	Total	
0.10%	0.2-0.6%	0.10%	0.35%	0.45-0.9%	0.10%	0.10%	0.10%	0.05%	0.15%	Rest

Yield Strength	130 MPa
Tensile Strength	175 MPa
Elongation	8%

A – POWER POLE  
B – SOCKET BOX  
C – FLOOR MOUNT  
D – JACKING MECHANISM  
E – CEILING SHROUD  
F – PVC LID  
G – DIVIDER  
1 PACK OF ACCESSORY SPACERS (MTLS)



## Colours:

MTP1 - Aluminium body, uPVC lids  
MTP1W - White coated aluminium body, uPVC lids

## Provided Accesories:

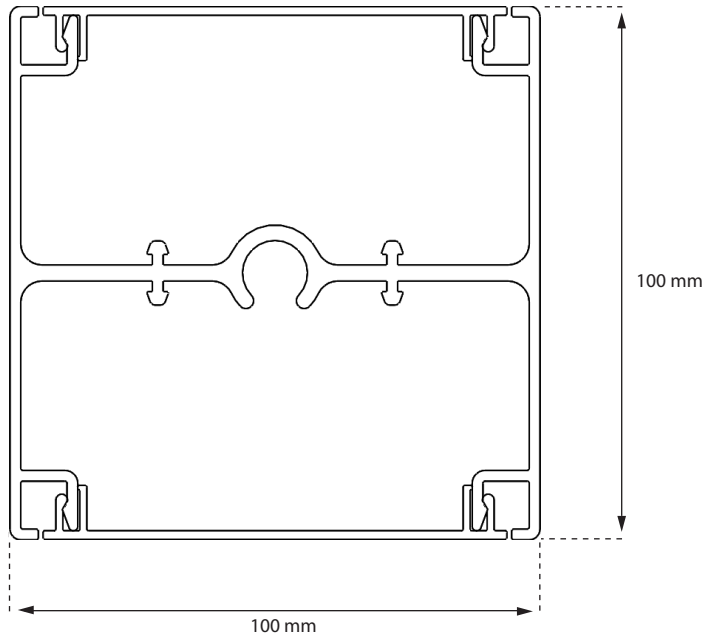
MTPCS - Ceiling Shroud  
MTPFB - Floor boot  
MTPSB1- 6 x Socket boxes

## Divider:

MTD105 - Slide in UPVC divider

## Technical Data Sheet

### Dimensions and Cable Capacities



### Data

DATA CABLE DIAMETER (mm)	NOMINAL CSA (mm <sup>2</sup> )	COMPARTMENT A		
		4120 mm <sup>2</sup>	4116 mm <sup>2</sup> and 25mm back box (2420 mm <sup>2</sup> )	4116 mm <sup>2</sup> and 35mm back box (1700 mm <sup>2</sup> )
		45% Fill (1852 mm <sup>2</sup> )	45% Fill (1309 mm <sup>2</sup> )	45% Fill (765 mm <sup>2</sup> )
5	19.6	94	54	38
5.5	23.8	77	45	31
6	28.3	65	38	26
6.5	33.2	55	32	22
7	38.5	48	27	19

### Power

POWER CABLE CONDUCTOR CSA (mm <sup>2</sup> )	CABLE FACTOR	COMPARTMENT A		
		4120 mm <sup>2</sup>	4609mm <sup>2</sup> and 25mm back box (2420 mm <sup>2</sup> )	4116 mm <sup>2</sup> and 35mm back box (1700 mm <sup>2</sup> )
		45% Fill (1852mm <sup>2</sup> )	45% Fill (1089mm <sup>2</sup> )	45% Fill (765mm <sup>2</sup> )
1.5	8.6	215	125	87
2.5	12.6	146	85	59
4	16.6	111	64	45
6	21.2	87	50	35