

Britclips® Tiger

for flange 2 - 24 mm

(J 05 05)



Features and benefits

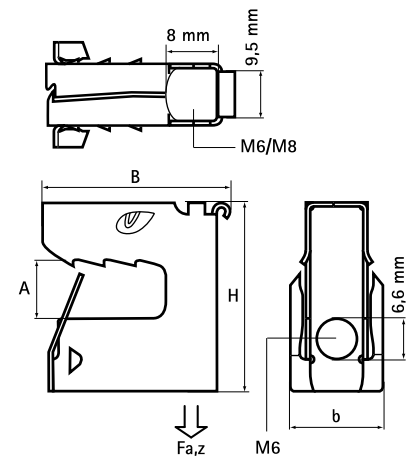
- multi-purpose clip
- for static loads, single use and non relocatable
- to hammer on or by hand; always the eye opposite to the load
- also suitable for outside use
- with hole to receive steel cable, S-Hook, cable tie, threaded rod (M6 or M8), etc.
- material: spring steel (type CS70)
- surface treatment: Magni coated, 2 layers (600 hours resistant to salt spray)
- incl. Britclips® ICP Thread plate, for wood screws from 4.0 to 4.5 mm (see J 50 07)



Report ED 05 / 022

| Part No. | Code | A (mm) | B (mm) | H (mm) | d1 (mm) | d2 (mm) | F _{a,z} (N) | CSTB | Pack 1 | Pack 2 |
|------------|-----------|-----------|-----------|-----------|------------|------------|-------------------------|------|--------|--------|
| 51803208 | Tiger 8R | 2 - 8 | 30 | 30 | 8.0 | 6.6 | 1,200 | CSTB | 25 | 250 |
| 51803216 | Tiger 16R | 8 - 16 | 32 | 38 | 8.0 | 6.6 | 1,200 | CSTB | 25 | 250 |
| EP51803216 | | 8 - 16 | 32 | 38 | 8.0 | 6.6 | 1,200 | CSTB | 25 | - |
| 51805216 | Tiger 16 | 8 - 16 | 32 | 38 | 8.0 | 6.6 | 1,200 | CSTB | 100 | 500 |

*For use with static loads only.
Max. allowed load (F_{a,z}) with M6 or M8 threaded rod vertical (safety margin 1:4).
Externally tested by CSTB.*



Complementary
BIS Stud Bolt
BIS Cable Tie
BIS S-Hook

Complementary
BIS Threaded Rod