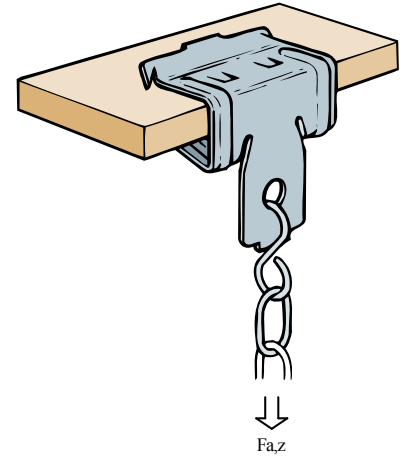


Britclips® Beam Clip

for flange 2 - 30 mm

(J 05 105)

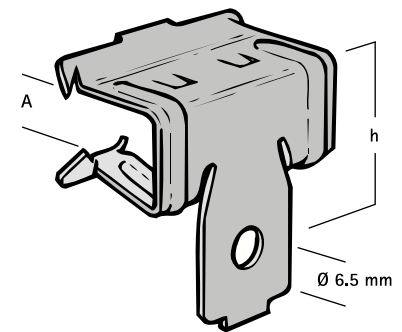


Features and benefits

- for a solid fixing to steel construction without the need for welding or drilling
- with fixing hole (Ø 6.5 mm) to fix S-hook, bolt/nut, etc.
- material: spring steel (type CS70)
- surface treatment: Delta-Tone 9000 (480 hours)

Part No.	Code	A (mm)	h (mm)	Fa,z (N)	Pack 1
EM 5002 0 004	BC125	2 - 4	21	720	100
EP 5002 0 004	BC125	2 - 4	21	720	25
EM 5002 0 009	BC250	5 - 9	23	900	100
EP 5002 0 009	BC250	5 - 9	23	900	25
EM 5002 0 016	BC500	10 - 16	29	900	100
EP 5002 0 016	BC500	10 - 16	29	900	25
EM 5002 0 020	BC750	17 - 20	34	900	100
EP 5002 0 020	BC750	17 - 20	34	900	25
EM 5002 0 030	BC1000	23 - 30	40	900	100

For use with static loads only.



Complementary
BIS S-Hook

Alternative
Britclips® Tiger