

# Cable jointing

## Cellpack – Cast-resin Technology

### Cellpack 'Y' or Branch Cable Joints

#### Voltage rating

1.2 kV

#### Application

Universally suitable to connect low voltage plastic-insulated cables or connectors insulated with PVC, PE, VPE, and EPR. (e.g N(A)YY, NYM, TT) With or without concentric conductor.

Suitable for both copper and aluminium conductors.

#### Application Ranges

Indoor, outdoor, underground, water (e.g submersible pumps), cable trays.

#### Features

- High electrical insulation values
- Watertight both longitudinally and transversely up to 1 metre
- High mechanical strength
- Good resistance against UV radiation, alkaline earths and chemical agents
- Standard resin storable up to 40 months in the aluminium bag
- Halogen-free polyurethane cast resin, containing the correct volume ready for mixing within a handy two-chamber mixing bag. No need for skin contact
- Low hardening temperature, fast hardening with no toxic emission during the mixing and casting
- High quality, transparent, shockproof polycarbonate moulds, compact size
- Visible splice position before casting
- Large insertion opening for easy casting
- Extremely simple and fast fitting – saves time and costs
- Earthing kit included
- Operational after 2 hours

#### Tests and Approvals

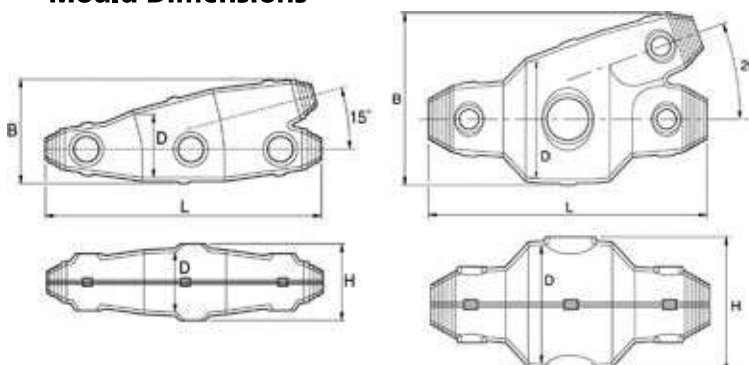
- DIN VDE 0278 Part 1 and 3
- DIN VDE 0278 PART 393
- EN 50393 as well as
- CENELEC HD623 (VDE 0278, PART 623)



**CELLPACK**  
Electrical Products



#### Mould Dimensions



BJK1, BJK2, BJK3,  
BJK5, BJK8, BJK9

BJK4, BJK6, BJK7

| Part No.    | Dimensions in mm |     |     |     |
|-------------|------------------|-----|-----|-----|
|             | L                | B   | D   | H   |
| <b>BJK1</b> | 185              | 80  | 45  | 55  |
| <b>BJK2</b> | 240              | 110 | 60  | 70  |
| <b>BJK3</b> | 285              | 120 | 65  | 75  |
| <b>BJK4</b> | 240              | 145 | 100 | 110 |
| <b>BJK5</b> | 300              | 150 | 110 | 120 |
| <b>BJK6</b> | 285              | 170 | 110 | 120 |
| <b>BJK7</b> | 335              | 193 | 120 | 130 |
| <b>BJK8</b> | 382              | 220 | 140 | 150 |
| <b>BJK9</b> | 570              | 275 | 180 | 190 |

## Cellpack – Cast-resin Technology

### Cellpack 'Y' or Branch Cable Joints

Copper to copper (cut mains).

Copper to aluminium – unless specified separately as detailed below.



| Part No.    | Mains Cable     |       | Branch Cable    |       | Min - Max cable dia. (mm) |         | Connectors  |
|-------------|-----------------|-------|-----------------|-------|---------------------------|---------|-------------|
|             | mm <sup>2</sup> | Cores | mm <sup>2</sup> | Cores | Mains                     | Branch  |             |
| <b>BJK1</b> | 1.5             | 2     | 1.5             | 2     | 8 - 17                    | 8 - 17  | P1 Included |
| <b>BJK1</b> | 1.5             | 3     | 1.5             | 3     | 8 - 17                    | 8 - 17  | P1 Included |
| <b>BJK1</b> | 1.5             | 4     | 1.5             | 4     | 8 - 17                    | 8 - 17  | P1 Included |
| <b>BJK1</b> | 2.5             | 2     | 2.5             | 2     | 8 - 17                    | 8 - 17  | P1 Included |
| <b>BJK1</b> | 2.5             | 3     | 2.5             | 3     | 8 - 17                    | 8 - 17  | P1 Included |
| <b>BJK1</b> | 2.5             | 4     | 2.5             | 4     | 8 - 22                    | 8 - 17  | P1 Included |
| <b>BJK2</b> | 4.0             | 2     | 4.0             | 2     | 9 - 22                    | 8 - 17  | P1 Included |
| <b>BJK2</b> | 4.0             | 3     | 4.0             | 3     | 9 - 22                    | 8 - 17  | P1 Included |
| <b>BJK2</b> | 4.0             | 4     | 4.0             | 4     | 9 - 22                    | 8 - 17  | P1 Included |
| <b>BJK2</b> | 6.0             | 2     | 6.0             | 2     | 9 - 22                    | 8 - 17  | P1 Included |
| <b>BJK2</b> | 6.0             | 3     | 4.0             | 3     | 9 - 22                    | 8 - 17  | P1 Included |
| <b>BJK2</b> | 6.0             | 4     | 2.5             | 4     | 9 - 22                    | 8 - 17  | P1 Included |
| <b>BJK3</b> | 10              | 2     | 10              | 2     | 22 - 39                   | 18 - 35 | P1 Included |
| <b>BJK3</b> | 10              | 3     | 10              | 3     | 22 - 39                   | 18 - 35 | P1 Included |
| <b>BJK3</b> | 10              | 4     | 10              | 4     | 22 - 39                   | 18 - 35 | P1 Included |

All joints are supplied with:

- Clear mould
- Resin pack
- Earth continuity
- Gloves
- Sealing tape

Cable connectors included up to 35mm<sup>2</sup>.

Fully submersible up to 1 metre.  
Operational after 2 hours, please allow 24 hours to be fully cured.

One connector required per core.

To see a video demonstrating Cellpack scan the QR code



# Cable jointing

## Cellpack – Cast-resin Technology

### Cellpack 'Y' or Branch Cable Joints

Copper to copper (cut mains).

Copper to aluminium – unless specified separately as detailed below.



| Part No.    | Mains Cable     |       | Branch Cable    |       | Min - Max cable dia. (mm) |         | Connectors (Not included unless indicated) |
|-------------|-----------------|-------|-----------------|-------|---------------------------|---------|--|
|             | mm <sup>2</sup> | Cores | mm <sup>2</sup> | Cores | Mains                     | Branch  |  |
| <b>BJK3</b> | 16              | 2     | 16              | 2     | 22 - 39                   | 18 - 35 | P1 Included                                |
| <b>BJK3</b> | 16              | 3     | 16              | 3     | 22 - 39                   | 18 - 35 | P1 Included                                |
| <b>BJK3</b> | 16              | 4     | 10              | 4     | 22 - 39                   | 18 - 35 | P1 Included                                |
| <b>BJK4</b> | 25              | 2     | 25              | 2     | 25 - 42                   | 21 - 37 | P1 Included                                |
| <b>BJK4</b> | 25              | 3     | 25              | 3     | 25 - 42                   | 21 - 37 | P1 Included                                |
| <b>BJK4</b> | 25              | 4     | 25              | 4     | 25 - 42                   | 21 - 37 | P1 Included                                |
| <b>BJK4</b> | 35              | 2     | 25              | 2     | 25 - 42                   | 21 - 37 | P1 Included                                |
| <b>BJK4</b> | 35              | 3     | 35              | 3     | 25 - 42                   | 21 - 37 | P1 Included                                |
| <b>BJK4</b> | 35              | 4     | 35              | 4     | 30 - 54                   | 20 - 38 | P1 Included                                |
| <b>BJK4</b> | 50              | 2     | 50              | 2     | 25 - 42                   | 21 - 37 | LT50*                                      |
| <b>BJK4</b> | 50              | 3     | 50              | 3     | 25 - 42                   | 21 - 37 | LT50*                                      |
| <b>BJK5</b> | 50              | 4     | 50              | 4     | 30 - 54                   | 20 - 38 | LT50*                                      |

All joints are supplied with:

- Clear mould
- Resin pack
- Earth continuity
- Gloves
- Sealing tape

Cable connectors included up to 35mm<sup>2</sup>.

Fully submersible up to 1 metre.

Operational after 2 hours, please allow 24 hours to be fully cured.

### Copper to Aluminium / Aluminium to Aluminium Cores

| Part No.      | Mains Cable     |       | Branch Cable    |       | Min - Max cable dia. (mm) |         | Connectors (Not included) |
|---------------|-----------------|-------|-----------------|-------|---------------------------|---------|---------------------------|
|               | mm <sup>2</sup> | Cores | mm <sup>2</sup> | Cores | Mains                     | Branch  |                           |
| <b>BJK6AS</b> | 50              | 2     | 50              | 2     | 29 - 53                   | 21 - 37 | WM1*                      |
| <b>BJK7AS</b> | 50              | 3     | 50              | 3     | 32 - 56                   | 25 - 42 | WM1*                      |
| <b>BJK8AS</b> | 50              | 4     | 50              | 4     | 35 - 62                   | 29 - 52 | WM1*                      |

One connector required per core.

**\*Where not included – connectors sold separately**

## Cellpack – Cast-resin Technology

### Cellpack 'Y' or Branch Cable Joints

Copper to copper (cut mains).

Copper to aluminium – unless specified separately as detailed below.



| Part No.     | Mains Cable     |       | Branch Cable    |       | Min - Max cable dia. (mm) |         | Connectors (Not included) |
|--------------|-----------------|-------|-----------------|-------|---------------------------|---------|---------------------------|
|              | mm <sup>2</sup> | Cores | mm <sup>2</sup> | Cores | Mains                     | Branch  |                           |
| <b>BJK5</b>  | 70              | 2     | 70              | 2     | 30 - 54                   | 20 - 38 | LT70*                     |
| <b>BJK7S</b> | 70              | 3     | 70              | 3     | 32 - 56                   | 25 - 42 | LT70*                     |
| <b>BJK7S</b> | 70              | 4     | 35              | 4     | 32 - 56                   | 25 - 42 | LT70*                     |
| <b>BJK8</b>  | 70              | 4     | 70              | 4     | 35 - 62                   | 29 - 52 | LT70*                     |
| <b>BJK6</b>  | 95              | 2     | 95              | 2     | 29 - 53                   | 21 - 37 | LT95*                     |
| <b>BJK7</b>  | 95              | 3     | 95              | 3     | 32 - 56                   | 25 - 42 | LT95*                     |
| <b>BJK8</b>  | 95              | 4     | 70              | 4     | 32 - 56                   | 25 - 42 | LT95*                     |
| <b>BJK8S</b> | 95              | 4     | 95              | 4     | 35 - 62                   | 29 - 52 | LT95*                     |

All joints are supplied with:

- Clear mould
- Resin pack
- Earth continuity
- Gloves
- Sealing tape

Fully submersible up to 1 metre.  
Operational after 2 hours, please allow 24 hours to be fully cured.

### Copper to Aluminium / Aluminium to Aluminium Cores

| Part No.      | Mains Cable     |       | Branch Cable    |       | Min - Max cable dia. (mm) |         | Connectors (Not included) |
|---------------|-----------------|-------|-----------------|-------|---------------------------|---------|---------------------------|
|               | mm <sup>2</sup> | Cores | mm <sup>2</sup> | Cores | Mains                     | Branch  |                           |
| <b>BJK6A</b>  | 70              | 2     | 70              | 2     | 29 - 53                   | 21 - 37 | WM1*                      |
| <b>BJK8A</b>  | 70              | 3     | 70              | 3     | 35 - 62                   | 29 - 52 | WM1*                      |
| <b>BJK8A</b>  | 70              | 4     | 70              | 4     | 35 - 62                   | 29 - 52 | WM1*                      |
| <b>BJK7A</b>  | 95              | 2     | 95              | 2     | 32 - 56                   | 25 - 42 | WM1*                      |
| <b>BJK9AS</b> | 95              | 3     | 95              | 3     | 35 - 62                   | 29 - 52 | WM1*                      |
| <b>BJK9AS</b> | 95              | 4     | 95              | 4     | 35 - 62                   | 29 - 52 | WM1*                      |

One connector required per core.

**\*Where not included – connectors sold separately**

To see a video demonstrating Cellpack scan the QR code



# Cable jointing

## Cellpack – Cast-resin Technology

### Cellpack 'Y' or Branch Cable Joints

Copper to copper (cut mains).

Copper to aluminium – unless specified separately as detailed below.



| Part No.     | Mains Cable     |       | Branch Cable    |       | Min - Max cable dia. (mm) |         | Connectors (Not included) |
|--------------|-----------------|-------|-----------------|-------|---------------------------|---------|---------------------------|
|              | mm <sup>2</sup> | Cores | mm <sup>2</sup> | Cores | Mains                     | Branch  |                           |
| <b>BJK8</b>  | 120             | 2     | 120             | 2     | 35 - 62                   | 29 - 52 | WM2*                      |
| <b>BJK9S</b> | 120             | 3     | 120             | 3     | 45 - 90                   | 35 - 80 | WM2*                      |
| <b>BJK9S</b> | 120             | 4     | 95              | 4     | 45 - 90                   | 35 - 80 | WM2*                      |
| <b>BJK9</b>  | 120             | 4     | 120             | 4     | 45 - 90                   | 35 - 80 | WM2*                      |
| <b>BJK8S</b> | 150             | 2     | 70              | 2     | 35 - 62                   | 29 - 52 | WM2*                      |
| <b>BJK9</b>  | 150             | 3     | 150             | 3     | 45 - 90                   | 35 - 80 | WM2*                      |
| <b>BJK9</b>  | 150             | 4     | 150             | 4     | 45 - 90                   | 35 - 80 | WM2*                      |
| <b>BJK8</b>  | 185             | 2     | 185             | 2     | 35 - 62                   | 29 - 52 | WM2*                      |
| <b>BJK9</b>  | 185             | 3     | 185             | 3     | 45 - 90                   | 35 - 80 | WM2*                      |
| <b>BJK9</b>  | 185             | 4     | 185             | 4     | 45 - 90                   | 35 - 80 | WM2*                      |

All joints are supplied with:

- Clear mould
- Resin pack
- Earth continuity
- Gloves
- Sealing tape

Fully submersible up to 1 metre.

Operational after 2 hours, please allow 24 hours to be fully cured.

**\*Where not included – connectors sold separately**

One connector required per core.

Larger sizes available – P.O.A

To see a video demonstrating Cellpack scan the QR code

