

# Cable glands & accessories

## Cable Glands

### Glands for Electromagnetical Purposes – EMC Range

#### Applications:

- Suitable for the shielding of cable for electromagnetic purposes
- Cable gland with neoprene sealing-ring and polyamide traction relief clamping insert
- Supplied with lock-nut and neoprene O-ring on entry thread

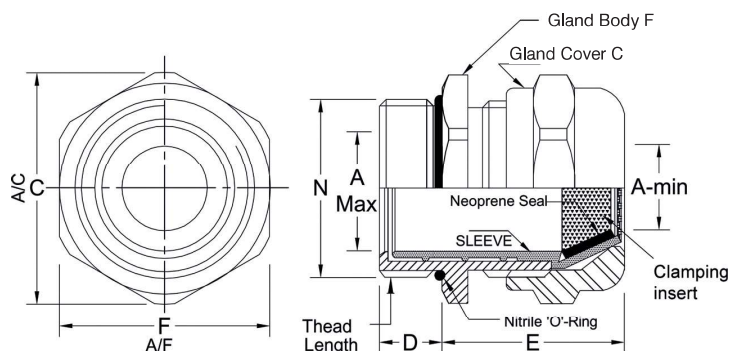
**Approval:** BS EN 50262:1999

**Ingress protection:** IP68 EN60529

**Temp range:** -20°C to +100°C

**Pressure rating:** 5 bar

**Finish:** Bright nickel-plated



EMC Range

Part No.	Entry Thread		Cable Acceptance Details		Hexagonal Details		Assembled Length
	Thread N	Length D	Minimum A	Maximum A	A/F	A/C	
EMC16NP	M16 x 1.5	10.0	5.5	9.0	18.0	20.0	17.0
EMC20NP	M20 x 1.5	10.0	8.5	12.5	22.0	24.4	18.0
EMC25NP	M25 x 1.5	10.0	12.0	16.5	27.0	30.0	20.0
EMC32NP	M32 x 1.5	13.0	16.0	21.0	34.0	37.7	23.0
EMC40NP	M40 x 1.5	13.0	19.5	27.0	43.0	47.7	29.0
EMC50NP	M50 x 1.5	14.0	25.0	34.0	55.0	61.0	34.0
EMC63NP	M63 x 1.5	14.0	32.0	42.0	68.0	75.5	35.0

Sold in eases. All dimensions are in mm.

### Glands for Electromagnetical Purposes – EMC Grip Range

#### EMC cable glands with fixed spring contact

- Glands supplied with locknut and entry seal
- Long-lasting contact by using a high definition contact spring

**Material:** Brass nickel plated

**Seal:** CR (Chloroprene Rubber)

**Clamping Insert:** PA6 (Polyamide 6)

**Protection Class:** IP68 – 5 Bar, 30min

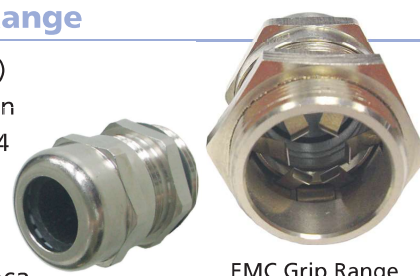
**Flammability:** V2 according to UL94

**Operating Temperature:**

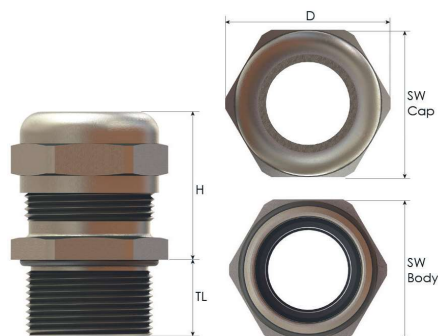
-20°C to +100°C

**Thread Type:** Metric EN 60423

**Manufactured:** to Din EN62444/50262



EMC Grip Range



Part No.	Entry Thread		Cable Acceptance Details		Hexagonal Details		Assembled Length
	Thread N	Length TL	Minimum A	Maximum A	Body SW	Cap SW	
EMC16NP-LP	M16 x 1.5	7.0	4.0	8.0	18.0	17.0	23.0
EMC20NP-LP	M20 x 1.5	8.0	6.0	12.0	22.0	22.0	24.5
EMC25NP-LP	M25 x 1.5	8.0	10.0	14.0	27.0	24.0	28.0
EMC32NP-LP	M32 x 1.5	9.0	13.0	18.0	34.0	30.0	32.5
EMC40NP-LP	M40 x 1.5	9.0	18.0	25.0	43.0	40.0	38.0
EMC50NP-LP	M50 x 1.5	9.0	22.0	32.0	55.0	50.0	48.0
EMC63NP-LP	M63 x 1.5	14.0	34.0	44.0	68.0	64.0	53.0

Sold in eases. All dimensions are in mm.