

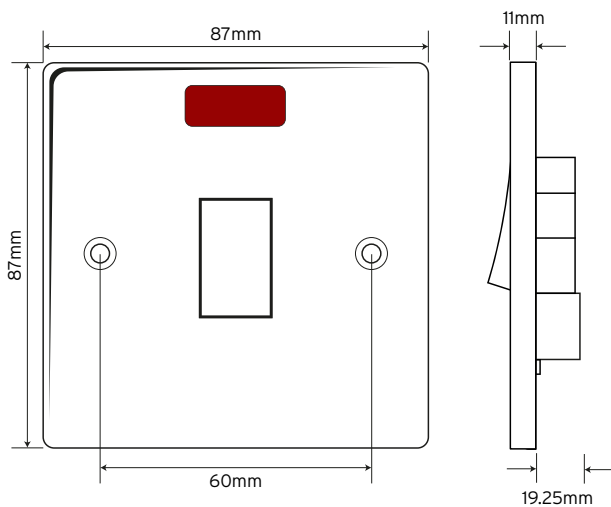
SP20DPN

20A DP Switch with Neon



A white, square-edged, moulded accessory manufactured in a robust urea construction. Arctic Edge offers traditional design values for new, or existing installations.

Technical Drawing



Technical Specifications

Material Composition:

Front Plate	Urea
Rear Housing	Urea
Terminals	Brass
Earth Strap	Mild Steel
Terminal Screws	Steel & Yellow Passivated Silver "on-lay" Copper/Brass Contacts
Voltage	240V ~ 50Hz
Current Rating	20A
Terminal Size	5mm
Torque Value	2.5Nm
Cable Size	3x2.5mm ² or 2x4.0mm ²
Back Box Depth	25mm - 47mm
Double Pole	Yes
Twin Earth	Yes
Warranty	20 years
IP Rating	IP20
Operational Temperature	-5 ° to +40 °C
Standards	BS EN 60069-1