

SP45DP

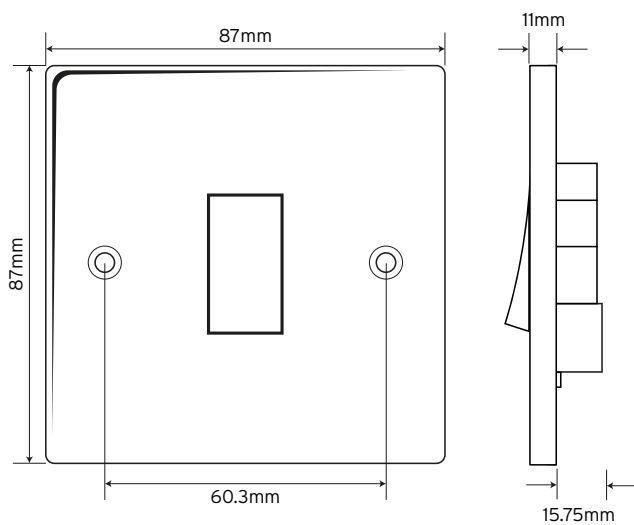
45A DP Switch Single Plate



**20
YEAR
GUARANTEE**

A white, square-edged, moulded accessory manufactured in a robust urea construction. Arctic Edge offers traditional design values for new, or existing installations.

Technical Drawing



Technical Specifications

Material Composition:

Front Plate	Urea
Rear Housing	Urea
Terminals	Brass
Earth Strap	Mild Steel
Terminal Screws	Steel & Yellow Passivated Silver "on-lay" Copper/Brass Contacts
Voltage	240V ~ 50Hz
Current Rating	45A
Terminal Size	6mm
Torque Value	2.5Nm
Cable Size	4x4mm ² , 3x2.5mm ² or 1 x 10mm ²
Back Box Depth	25mm - 47mm
Double Pole	Yes
Twin Earth	Yes
Warranty	20 years
IP Rating	IP20
Operational Temperature	-5 ° to +40 °C
Standards	The Low Voltage Directive 2006/95/EC, Modified ISO 22196, EN 60669-1:1999 + A1:2002 + A2:2008 (BS EN60669-1:2000) BS 4177:1992 BS 1363-2:1995 + A4 : 2012 (Socket Outlet)