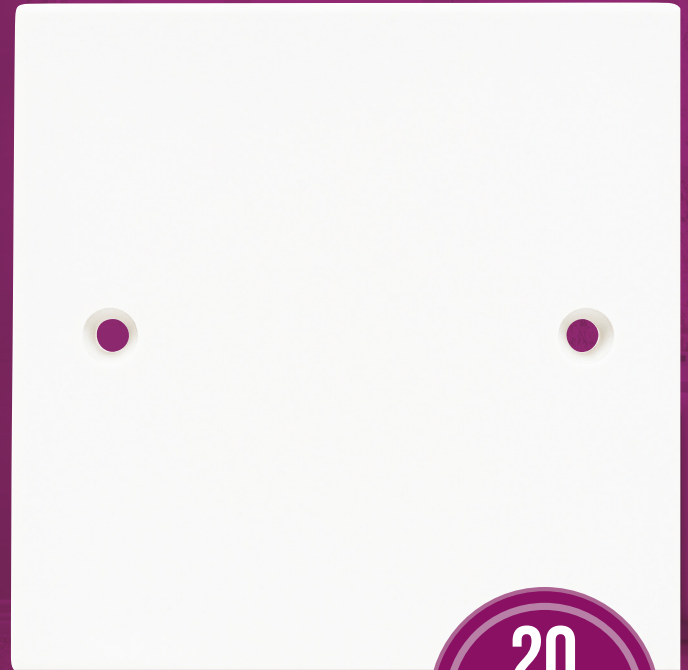


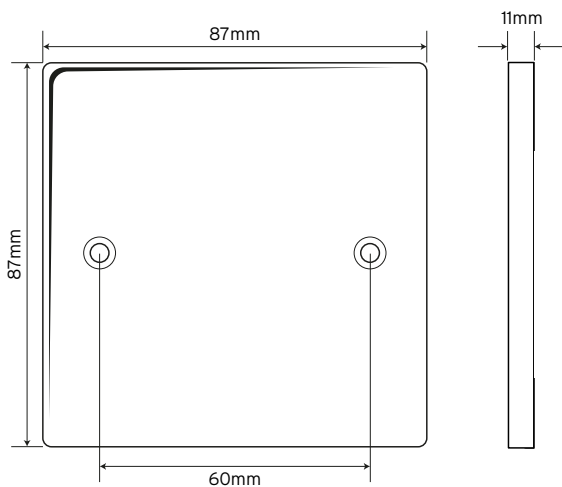
BP1

1 Gang Blank Plate



A white, square-edged, moulded accessory manufactured in a robust urea construction. Arctic Edge offers traditional design values for new, or existing installations.

Technical Drawing



Technical Specifications

Material Composition:	Urea
Torque Value	2.0Nm
Back Box Depth	16mm - 47mm
Warranty	20 years
IP Rating	IP20
Operational Temperature	-5 ° to +40 °C
Standards	BS 5733