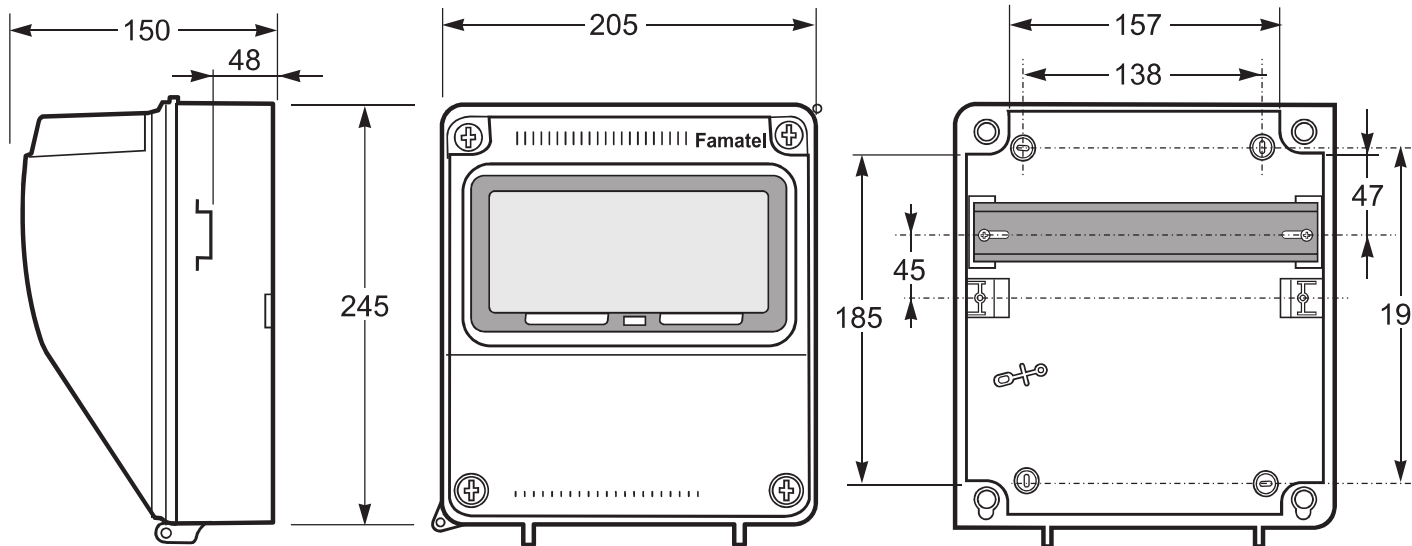


This drawing and design, together with any other intellectual property provided, is copyright and must not be reproduced, wholly or in part, without written consent from this company.

Notes:

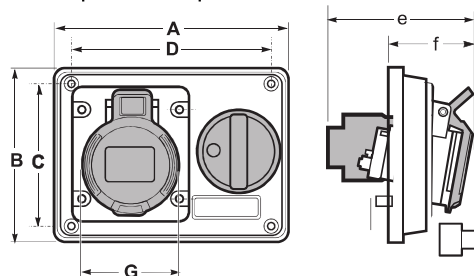
- 1.1 All dimensions are in mm unless otherwise stated.
- 1.2 Do not scale from this drawing, only stated dimension shall be used.
- 1.3 Drawing is for representation ONLY.



1. Made in UK
2. Quality assured
3. 16A-32A availability
4. IP44/IP67 Available
5. Side mounting
6. Compact design
7. Easy to wire
8. Long lasting
9. MID Approved metering solutions
10. C/W DP RCBO as standard
11. Wired in Tri rated
12. All cables crimped
13. Replaceable parts



45A kWh Meter
 MID approved
 Housing: 1-DIN Rail Module
 Single Phase
 Current: 45A Direct Connected
 Voltage: 230/240V (+/- 20%)
 Pulse output as standard: 1000 imp/kWh
 LCD Display: 5+2= 99



- With screw terminals
- Housing material: PA6/ABS
- Contacts: Nickel-plated contacts
- Mechanical Interlocked

IP44 Splashproof



- Frame and base in ABS
- Windows transparent in PVC
- Screw taps included for IP

IP44 Rated



CAV1C/MY

- 1 x Gang Hook-UP
- 1 x Enclosure IP65
- 1 x RCBO DP 30ma 16a
- 1 X MID Approved meters
- 1 x IP44 16a Switched
- Interlocked Socket 2P+E 240v

18th Edition		
Rev.	Description	Date
0	Original	09.09.2019



Client: Famatel

Project: -



Title: NEWCAV1CMY

Edition: Information	P - Preliminary A - Approval I - Information	T - Tender C - Contract B - As Built
Date: 09.09.2019	Scale: N.T.S	A4 Paper
Drawn By: RP	Checked By: DP	Revision No. 0