



UDTAKIT - White | UDTAKITSS - Stainless Steel

Disabled Toilet Alarm





POWER/
LIGHT/
BUZZER
MODULE

RESET
MODULE

PULL CORD
MODULE



Overview

1. Pull cord Module

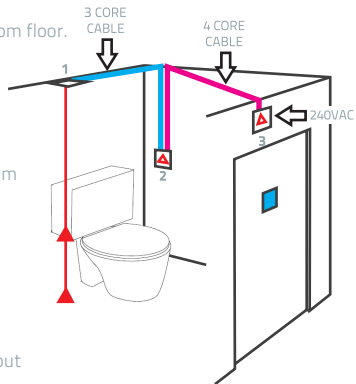
- 1st pull handle to be 100mm from floor.
- 2nd pull handle to be mounted 800/1000mm from floor.

2. Reset Module

- Module to be mounted maximum 1200mm from the floor

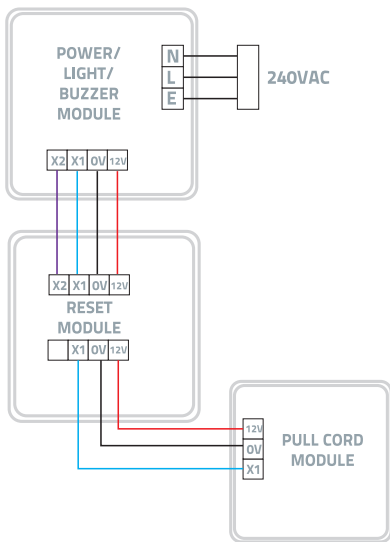
3. Input Power, Light and Buzzer Module

- Activates when the Pull Cord is triggered.
- Also provides system power input

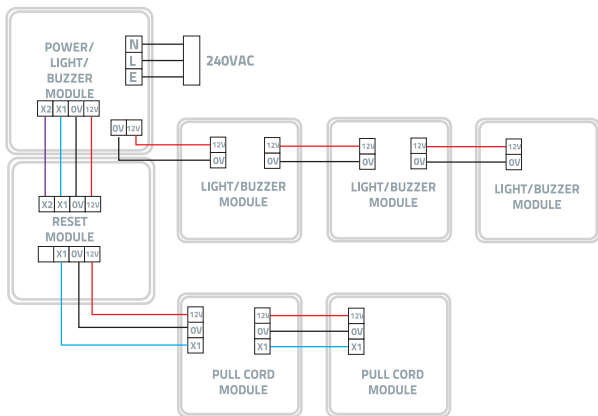


System designed to comply with care standards BS8300
Installation to be carried out by a qualified electrician.

Kit Wiring Configuration

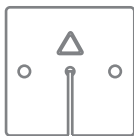


Maximum Wiring Configuration



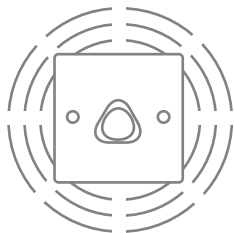
Operation Guide

1



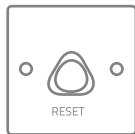
Pull triangle on cord
to activate alarm

2



Light indication and buzzer
will activate

3



Press the RESET button
to reset the system



For backup battery modules please test/replace the battery a minimum of every 12 months & after any duration the system has been powered directly from the battery.

Battery Conditions:

Battery level normal
(12v-9.6v) Alarm activation for approximately 10 minutes

Battery level low
(9.6v-6v) Alarm activation for approximately 4 minutes

Battery level 6v or below
Replace battery

Battery Type: A23 Alkaline Battery 12V



CE

Elite Security Products
Unit 7, Target Park,
Shawbank Road, Lakeside,
Redditch B98 8YN
Tel: +44 (0) 1527 51 51 50
Fax: +44 (0) 1527 51 51 43
www.espuk.com • info@espuk.com



A **Scolmore** GROUP
Company

J17