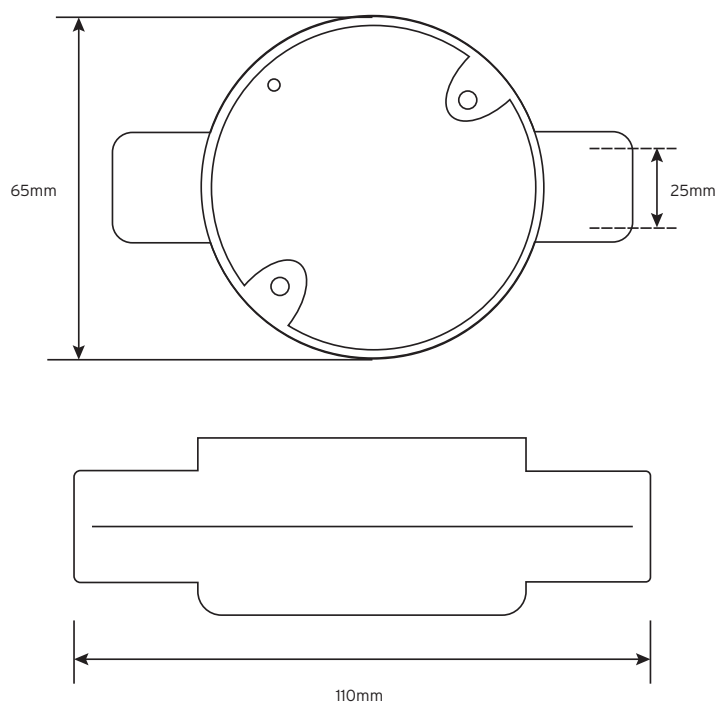


CB225G Malleable Conduit Boxes



Technical Drawing



Technical Specifications

Type	2 Way, Through
Size	25mm
Finish	Galv.
Standards	BS EN 61386-1 2008
Size	Ø 65mm x 110mm L