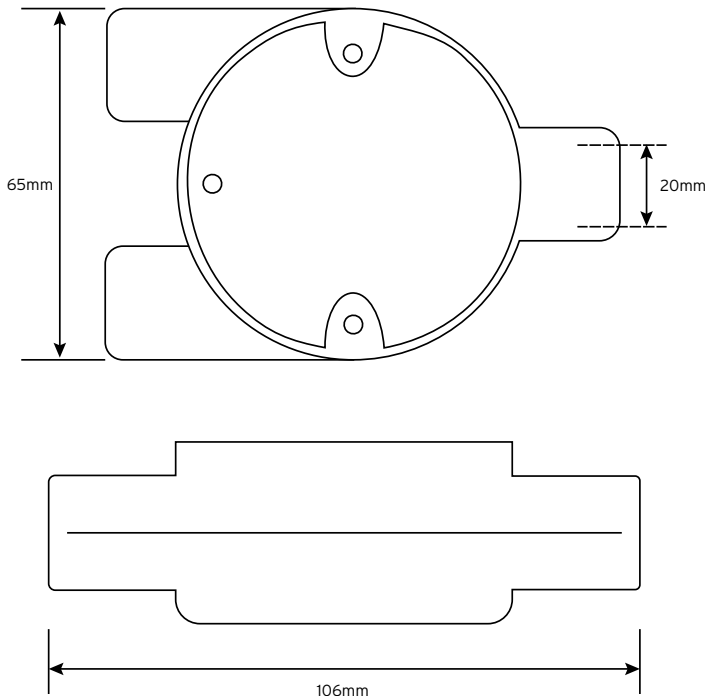


CBY320G Malleable Conduit Boxes

Technical Drawing



Technical Specifications

Type	3 Way "Y" Branch
Size	20mm
Finish	Galv.
Standards	BS EN 61386-1 2008
Size	Ø 65mm x 106mm L