

## Data sheet

Commercial Art.No.: 58.510.9055.0

Earth terminal WT 10 PE

Ground terminal with Screw connection for mounting on TS 35, nominal cross section: 10 mm<sup>2</sup>, width: 10 mm, color: Green-yellow



Commercial Art.No.	58.510.9055.0
EAN	4049088154096
Order Unit	50

Certificates / Approvals



SEV-Ex



## Technical data

### General

Nominal cross section	10 mm <sup>2</sup>
Color	Green/yellow
Number of levels	1
Number of clamp positions per level	2
Width/grid dimension	10 mm
Insulating housing	PA666
Inflammability class of insulation material acc. with UL94	V0
Mounting method	DIN rail (top hat rail)
Terminal blocks for electrical installations	Yes

### Technical data

Rated voltage	1000 V
Rated impulse voltage	8 kV
Pollution degree	3
Closing plate required	Yes
Type of insulation material	Thermoplastic
Length	48 mm

### Connection Data

Connection type 1	Screw connection
Connection type 2	Screw connection
Minimum cross section solid	0.5 mm <sup>2</sup>
Maximum cross section solid	16 mm <sup>2</sup>

Minimum cross section fine stranded	0.5 mm <sup>2</sup>
Maximum cross section fine stranded	16 mm <sup>2</sup>
Minimum cross section stranded	16 mm <sup>2</sup>
Maximum cross section stranded	16 mm <sup>2</sup>
Minimum conductor cross section (flex., stranded) with cable end sleeve	0.5 mm <sup>2</sup>
Maximum conductor cross section (flex., stranded) with cable end sleeve	10 mm <sup>2</sup>
Wire strip length	13 mm
Torque conductor mounting	1.2 Nm

**Technical Data UL/CSA**

Cross section UL	20-6 AWG
Voltage UL	600 V
Cross section CSA	20-6 AWG
Voltage CSA	600 V

**Classification**

ECLASS 8.1	27141141
ETIM 7.0	EC000901
ETIM 6.0	EC000901
ETIM 5.0	EC000901
ETIM 4.0	EC000901
ETIM 3.0	EC000901

**Product compliance**

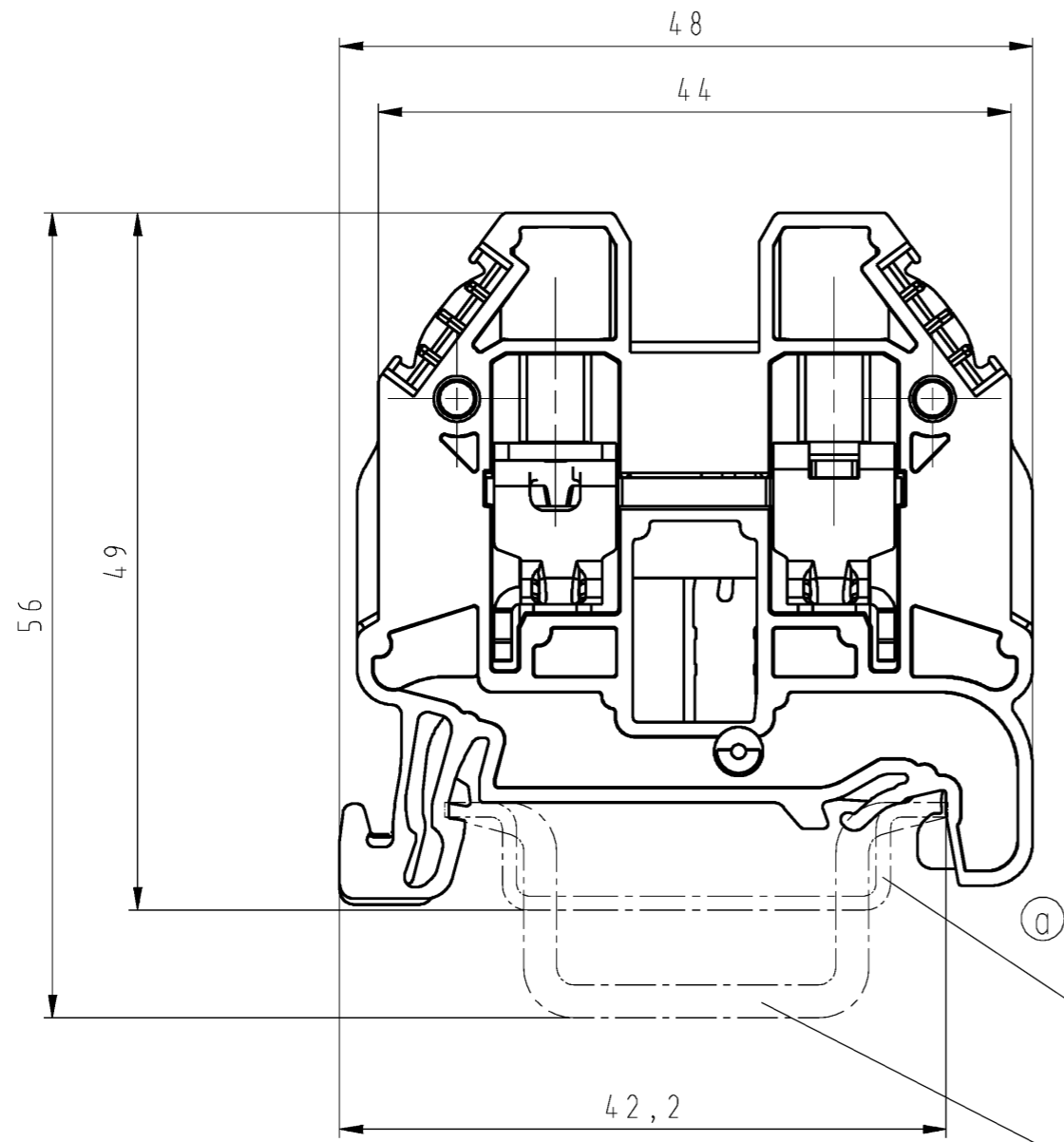
ROHS conformity status	compliant
REACH-SVHC conformity status	compliant

A  
 Weitergabe sowie Vervielfältigung dieses Dokuments, Verwertung und Mitteilung seines Inhalts sind verboten, soweit nicht ausdrücklich gestattet. Die Reproduktion, Distribution und Utilization of this document as well as the communication of its contents to others without express authorization is prohibited.

B  
 These dimensions will be especially checked at delivery  
 Only inspection dimensions  
 With /E marked dimensions are only valid for internal use

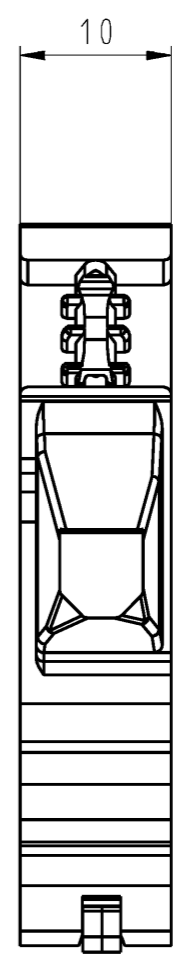
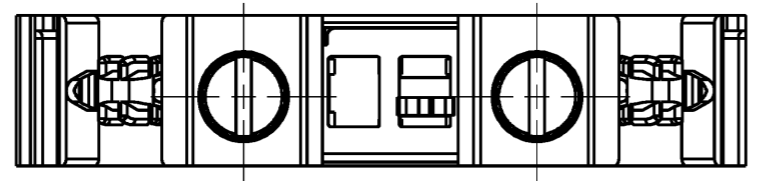
C  
 Diese Maße werden bei Abnahme besonders geprüft  
 Ausschließlich Prüfmaße  
 Mit /E gekennzeichnete Maße sind nur für interne Zwecke gültig

D  
 E  
 F

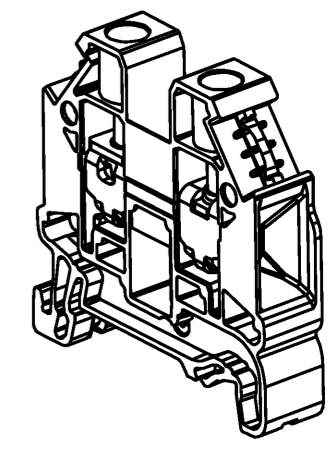


Hutschiene EN 60715-35x7,5  
 mounting rail EN 60715-35x7,5

Hutschiene EN 60715-35x15  
 mounting rail EN 60715-35x15



M/scale 1:1



\* = spezielle Verpackung / special package

Teile-Nr. part-no.	Farbe color
58.510.9055.0	grün/gelb (marmoriert)
* 58.510.9095.0	green/yellow (marmorated)

Tolerierung Size ISO 14405 © / Tolerance system Size ISO 14405 © (This ISO-standard describes the envelope principle. According to the envelope principle the deviations of form and parallelism are limited by the size tolerances).		ja/yes <input checked="" type="checkbox"/> Stoffverbots- und Deklarationsliste nach WN 5020.010 ist einzuhalten. Conformity with Wieland document WN 5020.010 e (list of prohibited / declarable hazardous substances) to be declared!	
Freitoleranz nach General tolerance		CAD - Zeichnung, keine manuellen Änderungen CAD - drawing, no manual modifications allowed	1. Verwendung: First Use:
Blatt: Sheet: 1 von 1 of			
Werkstoff / Material		Tag/Date	Name
Maßstab / Scale		gezeichnet drawn	21.01.2013 Eller
2:1		geprüft checked	
Vol. mm <sup>3</sup> Dfl./Srf. mm <sup>2</sup>		Normgepr. Stand. check	
Ersatz für / Replacement for:		Zeichnung Nr. / Drawing No.	
		58.510.9055.001K	
a 02.05.2017 / Index Datum / Blatt Date / Sheet		Maße in mm / Dimensions are in mm	
Änderung / Revision		Type	
www.wieland-electric.com		Benennung/Title	
		Schutzleiterklemme protective conductor terminal	
		Schutzleiterklemme protective conductor terminal	