

PC T8 PRO Ip, PC T8 PRO sl, 18 – 58 W

PC PRO T8



Product description

- _ Highest possible energy class CELMA EEI = A2 BAT
- _ Nominal life-time up to 100,000 h (at ta 50 °C with a failure rate ≤ 0.1 % per 1,000 h)
- _ Large temperature range (for values see table)
- _ Intelligent Voltage Guard (overvoltage indication and undervoltage shutdown)
- _ Precise lamp operation using adjustment of lamp parameters
- _ Advanced SMART-Heating for min. 50,000 starts without replacement of lamps
- _ Constant luminous flux irrespective of fluctuations in mains voltage
- _ Designed for THD < 10 %
- _ For luminaires of protection class I and protection class II
- _ Automatic start after replacement of defective lamps
- _ Safety shutdown of defective lamps and at end of lamp life (EOL 2)
- _ Insulation Displacement Connection (IDC) terminal for rapid automatic or manual wiring
- _ For emergency lighting systems as per EN 50172
- _ 5-year guarantee

Website

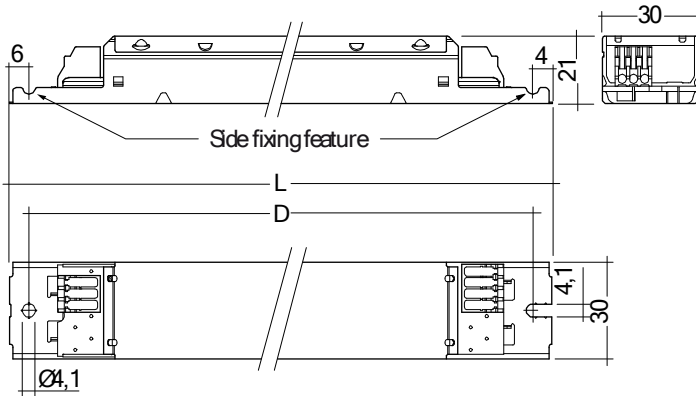
<http://www.tridonic.com/22185215>



PC T8 PRO Ip, PC T8 PRO sl, 18 – 58 W

PC PRO T8

The complete data sheet for this product is available in the Downloads section.



Ordering data

| Type | Article number | Figure | Packaging, carton | Packaging, low volume | Packaging, high volume | Weight per pc. |
|-----------------------------------|----------------|--------|-------------------|-----------------------|------------------------|----------------|
| For luminaires with 1 lamp | | | | | | |
| PC 1x58 T8 PRO Ip | 22185215 | 1 | 50 pc(s). | 1,050 pc(s). | 3,150 pc(s). | 0.143 kg |

Technical data

| | |
|------------------------|------------------------------------------|
| Mains voltage range | 220 – 240 V |
| AC voltage range | 198 – 264 V |
| DC voltage range | 176 – 280 V (lamp start \geq 198 V DC) |
| Mains frequency | 0 / 50 / 60 Hz |
| Overvoltage protection | 320 V AC, 1 h |
| Defined warm start | \leq 1.5 s |
| Operating frequency | \geq 39.5 kHz |
| Type of protection | IP20 |

Approval marks



Standards

EN 55015, EN 61347-2-4, EN 61347-2-3, EN 60929, EN 61000-3-2, EN 61547, Acc. to EN 50172, IEC 68-2-64 Fh, IEC 68-2-29 Eb, IEC 68-2-30

Specific technical data

| Lamp wattage | Lamp type | Type | Article number | Dimensions L x W x H | Hole spacing D | Lamp power | Circuit power | EEI | Current at 50 Hz | | λ at 50 Hz | | tc point max. | Ambient temperature ta | tc/ta for \geq 50, 000 h |
|-----------------------------------|-----------|-------------------|----------------|----------------------|----------------|------------|---------------|--------|------------------|---------|--------------------|-------|---------------|------------------------|----------------------------|
| | | | | | | | | | 220 V | 240 V | 220 V | 240 V | | | |
| For luminaires with 1 lamp | | | | | | | | | | | | | | | |
| 1 x 58 W | T26 (T8) | PC 1x58 T8 PRO Ip | 22185215 | 230 x 30 x 21 mm | 220 mm | 50.0 W | 54.5 W | A2 BAT | 0.245 A | 0.220 A | 0.99 | 0.97 | 75 °C | -25 ... +55 °C | 70/50 °C |
| 1 x 55 W | TC-L | PC 1x58 T8 PRO Ip | 22185215 | 230 x 30 x 21 mm | 220 mm | 51.5 W | 56.0 W | A2 BAT | 0.255 A | 0.233 A | 0.99 | 0.97 | 75 °C | -25 ... +55 °C | 70/50 °C |