

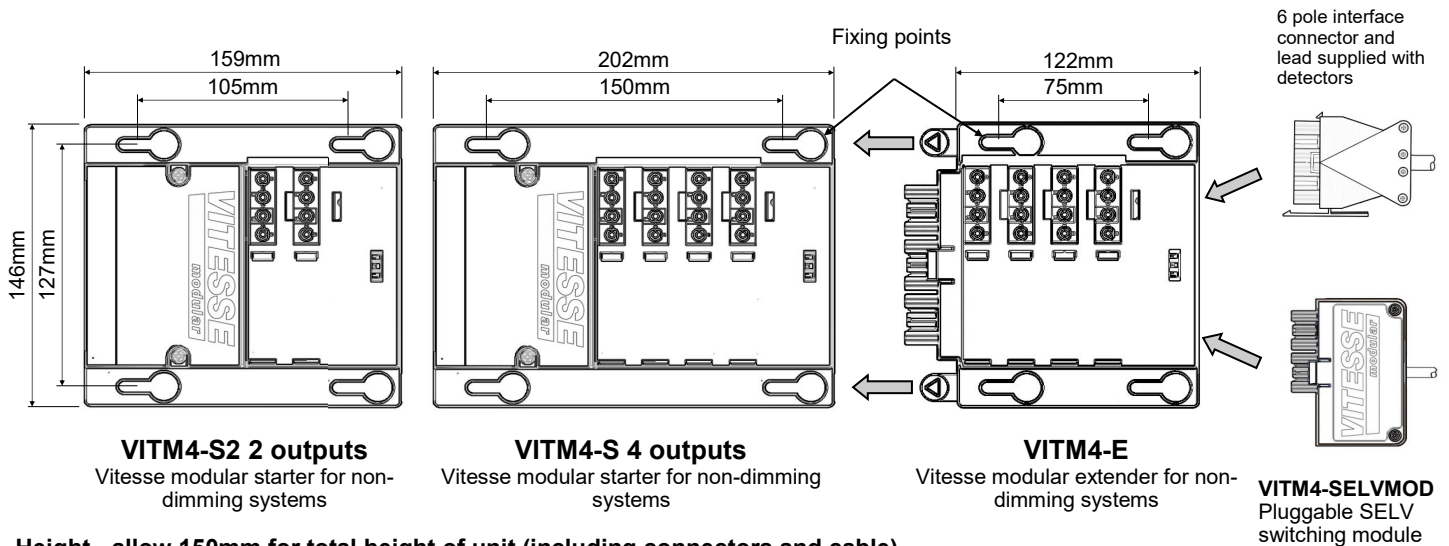
VITM4

Vitesse Modular 4 - Switching Modules

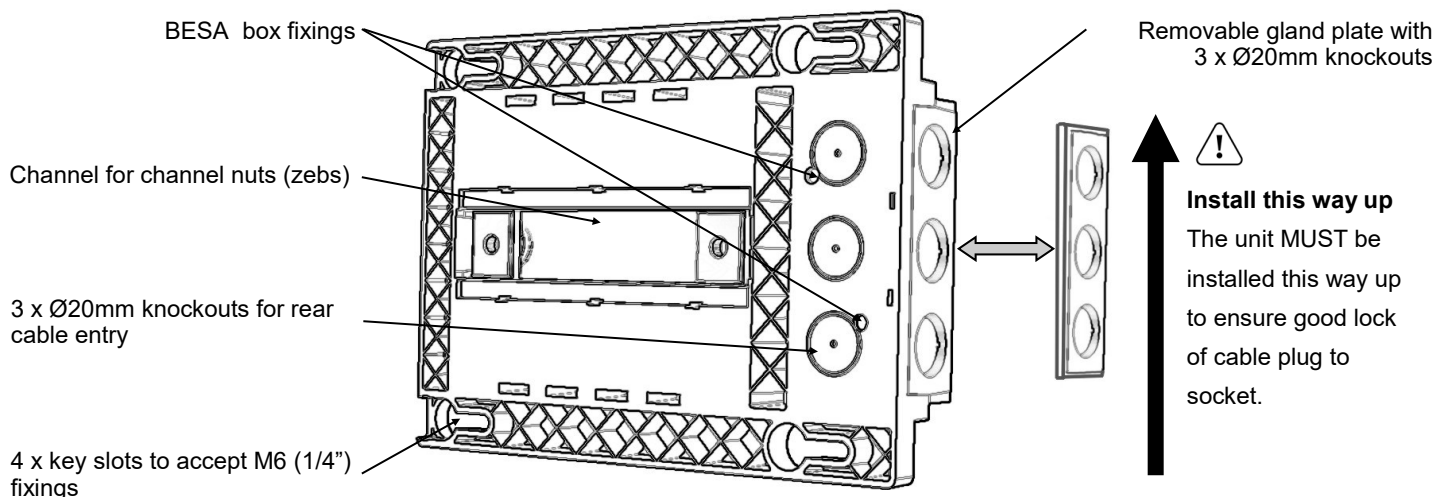
Overview

The Vitesse modular system is a cost effective method of providing power and control for lighting installations in industrial, commercial and retail buildings. The system is designed for ease of installation: mains input is connected using the spacious wiring compartment; control inputs and outputs are pluggable using industry standard connectors. The modular approach allows for between 2 and 16 luminaires to be connected. The VITM4 is for use with non-dimming luminaires. The VITM4-SELVMOD converter provides a cost effective SELV switch input for overcoming the requirements of the IEE 17th edition wiring regulations.

System Components



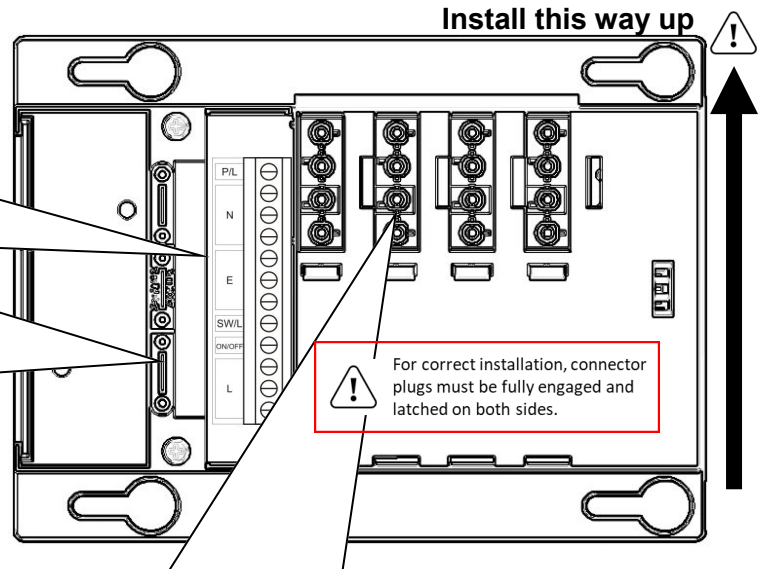
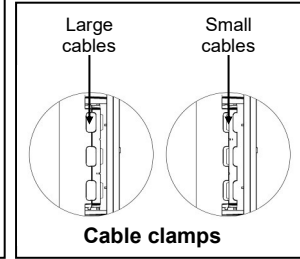
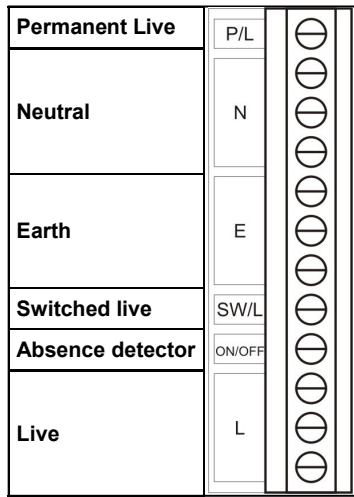
Installation



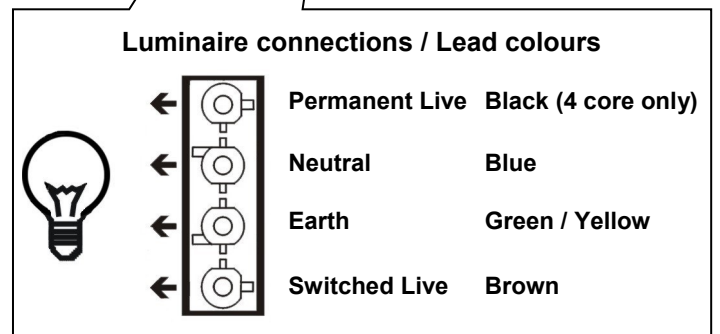
Warning. This device works at mains voltage. Be sure to take care when working with electricity.

- The box should be fixed on a smooth, flat surface or using drop rod fixings attached to channel nuts.
- Ensure that there is easy access to the wiring compartment and all connectors once the box is in-situ.

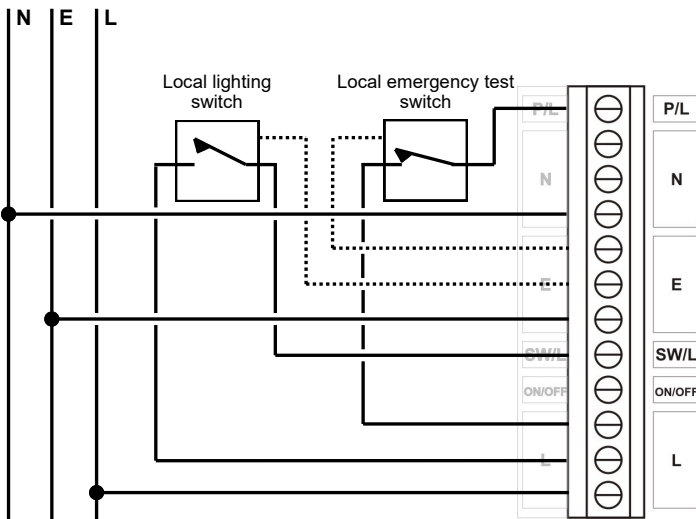
Wiring



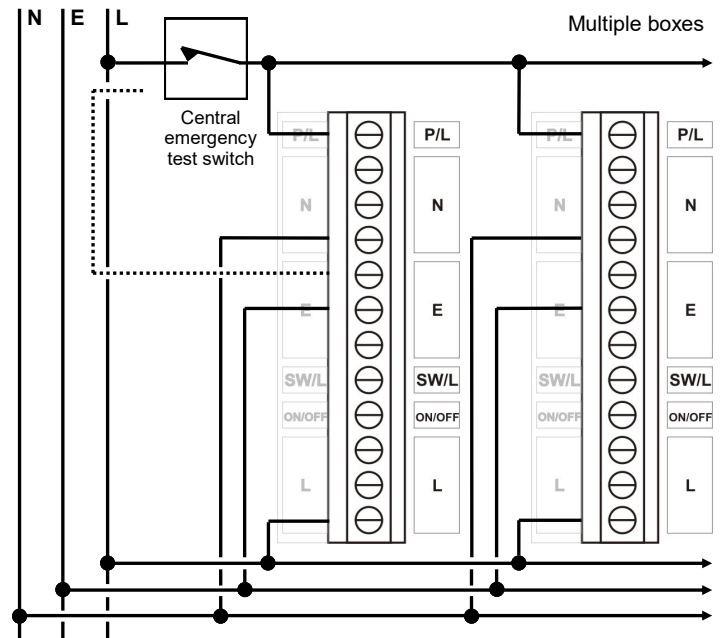
- All wiring should be mains rated.
- Remove wiring compartment cover & wire the box using the diagrams below
 - Permanent live** feeds emergency fittings
 - Absence detector** connects switches through to detectors
 - Switched live** turns the lights on and off
- Use the cable clamps to secure the wiring or use cable glands (not supplied). The clamps can be split, and flipped over to clamp different cable diameters.
- Replace wiring compartment cover.
- Plug in the luminaires ensuring that the connector latches to the box.
- **Install this way up!** The unit **MUST** be installed orientated as per the arrow to ensure good lock of cable plug to socket!



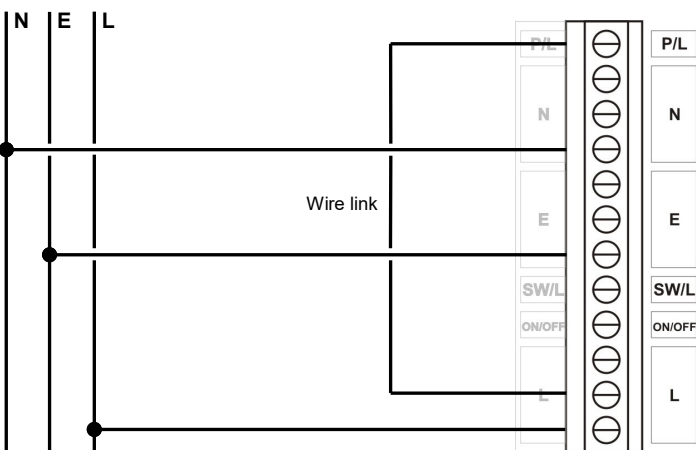
Local lighting switch and local emergency test switch



Emergency test using central switch



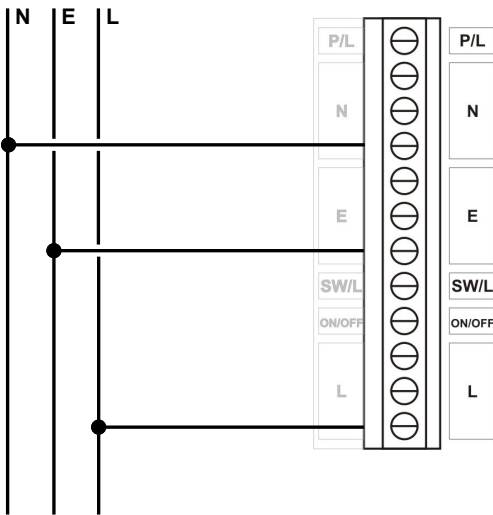
Emergency test using power interruption



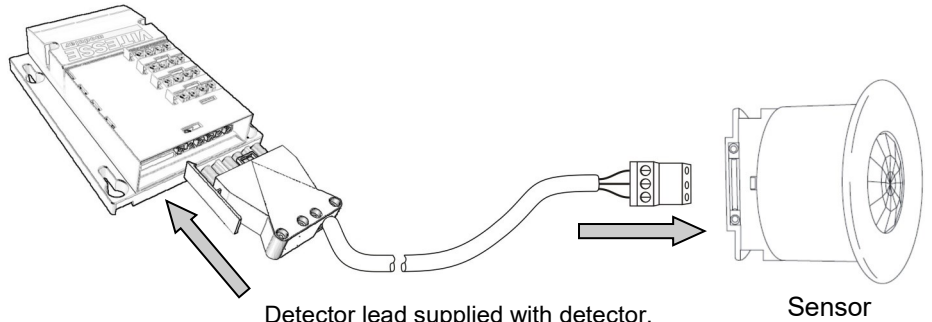
A local lighting switch may still be used when there is a central emergency test switch or when a circuit breaker is used to interrupt the power.

DO NOT WIRE ACROSS PHASES

Presence detector connections

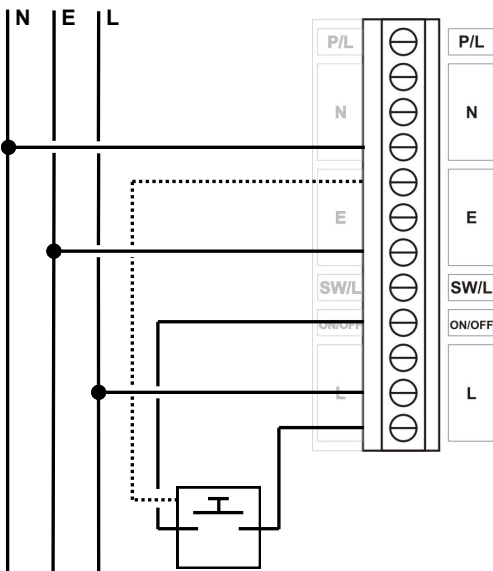


Automatic on, automatic off

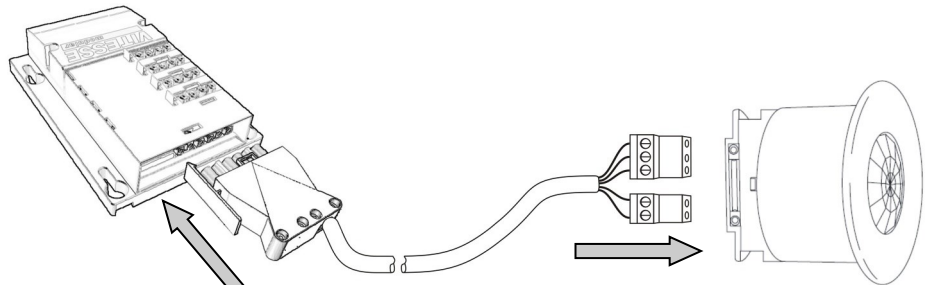


Detector lead supplied with detector.
Where detectors connect to a single box a dual lead is available VITM4-LD3-B.

Absence detector connections



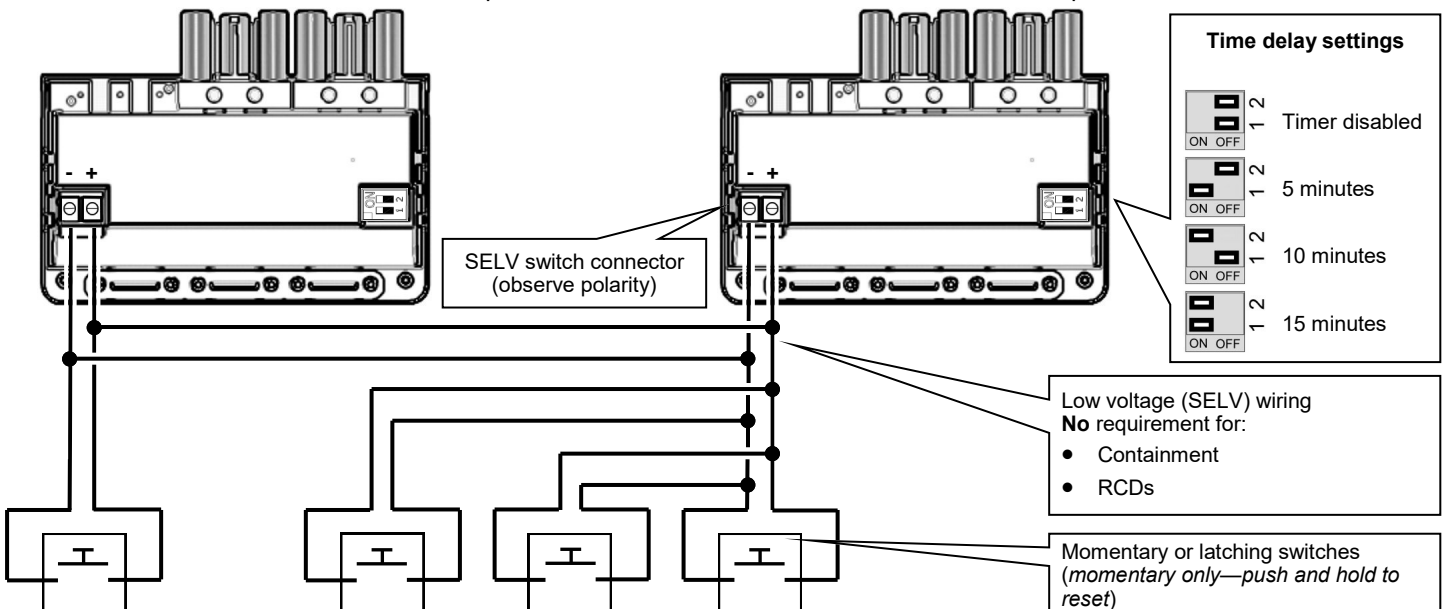
Manual on, automatic off



Detector lead supplied with detector.
Where detectors connect to a single box a dual lead is available VITM4-LD3-PRM.

VITM4-SELVMOD Switching Module

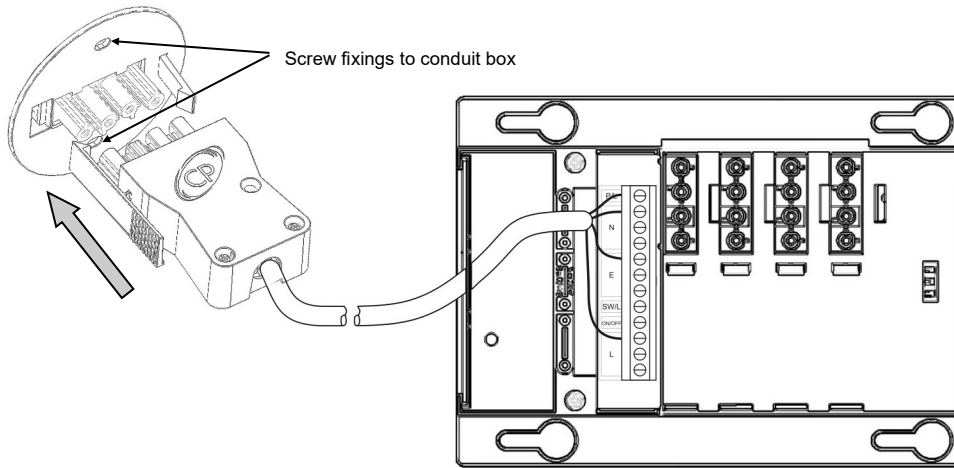
- No mains voltage switch wires routed along walls removes the need for RCD protection under the IEE 17th Edition regulations.
- The VITM4-SELVMOD module allows switches in parallel for 2-way and intermediate switching.
- Optional time delay function.
- The same switch can be used when multiple Vitesse Modular boxes are connected to different phases.



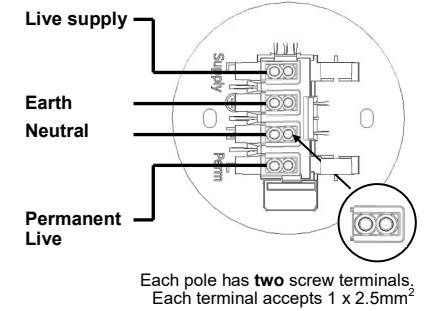
Ceiling rose / conduit box connection

Conduit box to VITM4-S mains wiring

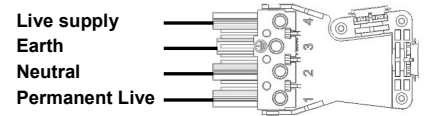
Use a VITM-ROSE when there is a need to take power from a conduit box. Plug the connector into the VITM-ROSE and wire the other end of the lead into the terminals of the VITM4-S. A pre-wired version is available, VITM4-SL1.



VITM-ROSE mains wiring



VITM-ROSE connector wiring



Part numbers

Modules

VITM4-S	4 pole starter box 4 outputs
VITM4-S2	4 pole starter box 2 outputs
VITM4-E	4 pole extender box 4 outputs
VITM4-SL1	4 pole starter box with 1m lead and ceiling rose connector
VITM4-SD5	Pre-wired corridor module + 5m cable

Presence / Absence Detectors

VITM4-EBDSPiR-B	PIR presence detector
VITM4-EBDSPiR-PRM	PIR presence/absence detector
VITM4-MWS3A-PRM	Microwave presence/absence detector (adjustable head)
VITM4-MWS6-PRM	Microwave presence/absence detector (fixed head)
VITM4-EBMPIR-B	Miniature PIR presence detector
VITM4-EBMPIR-PRM	Miniature PIR premium presence detector

Accessories

VITM4-SELVMOD	SELV switching module
VITM-ROSE	Ceiling rose module

Dual Detector Leads (LSF)

VITM4-LD3-B	3m basic sensor lead
VITM4-LD3-PRM	3m premium sensor lead

Luminaire Leads (LSF)

VITM4L303100W	3 core	3m	1.0mm ² White plug
VITM4L305100W	3 core	5m	1.0mm ² White plug
VITM4L403100R	4 core	3m	1.0mm ² Red plug
VITM4L405100R	4 core	5m	1.0mm ² Red plug

Other leads available to order.

Connectors

VITM4-LPW	4 pole luminaire plug white
VITM4-LPR	4 pole luminaire plug red

Ratings

Voltage	230VAC +/- 10%
Frequency	50Hz
Terminal capacity	4mm ² in wiring compartment
Temperature	0°C to 35°C
Power	Rating of system 16A. Rating of each output 10A
Compliance	EMC-2014/30/EU LVD-2014/35/EU



For further compliance information visit www.cpelectronics.co.uk/compliance

IMPORTANT NOTICE!

This device should be installed by a qualified electrician in accordance with the latest edition of the IEE wiring regulations.



UK Patent no. GB2463063
EU patent pending
EU registered design no.
001587544-0001, 001587544-0002



C.P. Electronics Ltd
Brent Crescent
London
NW10 7XR
United Kingdom
Tel: + 44 (0) 333 900 0671
Fax: + 44 (0) 333 900 0674
www.cpelectronics.co.uk
enquiry@cpelectronics.co.uk