

**NATIONAL  
VENTILATION**

Manufacturers & suppliers  
of  monsoon products

# Energysaver™ Intellisense

Ultra quiet, ultra slim, ultra modern intelligent bathroom fan



Only 31mm  
deep

- Intelligent, self-adjusting humidity control
- Adjustable speed control
- Continuous or intermittent
- Extremely low energy, from 2.1W
- High performance up to 134m<sup>3</sup>/hr
- Only 12 DBA

**Call now to find out more: 01823 690 290**

[www.nationalventilation.co.uk](http://www.nationalventilation.co.uk) Email: [info@nvagroup.co.uk](mailto:info@nvagroup.co.uk)

The Monsoon IntelliSense is a bathroom fan that is quiet yet versatile enough to ventilate bathrooms, toilets and even utility areas.

The IntelliSense features an advanced control system with several functions, which includes a fully automatic humidity control that adjusts itself to the right level according to the environment. It has a timer with a selectable start delay function and three extended end-of-run times in addition to an automatic airing function and the option for constant operation at an adjustable speed. The motor is a low-energy unit fitted with double ball bearings for a long service life.

---

### Continuous or intermittent

IntelliSense can be installed as either an intermittent fan or a continuous fan giving flexibility on installation options.

During continuous operation the fan can run extremely quietly at low speed.

---

### Easy to use control panel

IntelliSense has a simple to use integrated control panel which gives options for extract modes, timer functions and speed control. You can choose different capacities for different functions. The timer function can activate in several different ways, either via the light switch, pull cord or a separate switch. It has a timer with a selectable start delay function and three extended end-of-run times in addition to an automatic airing function and the option for constant operation at an adjustable speed.



---

### Airing function

IntelliSense has an airing programme that triggers the fan to run for 60 minutes if the fan has been inactive for 25 hours. This function means you can avoid stuffy, musty odours in the bathroom when you have been away for a while.

---

### Communication

IntelliSense always lets you know what it is doing with the help of an LED indicator in different colours. A blue light means the fan is working to expel hazardous moisture; a yellow light means the timer is activated; a purple light means the fully automatic airing function is active.

---

### Intelligent humidity sensor

The IntelliSense features an advanced ambient response humidity sensor which learns and adjusts itself to the right level according to the environment.

---

### Power consumption

Thanks to IntelliSense being operated by a low-voltage motor, it has been possible to substantially reduce energy consumption. The fan consumes as little as five watts on maximum, about a third of what a conventional bathroom fan uses.

---

**Call now to find out more: 01823 690 290**

[www.nationalventilation.co.uk](http://www.nationalventilation.co.uk) Email: [info@nvagroup.co.uk](mailto:info@nvagroup.co.uk)

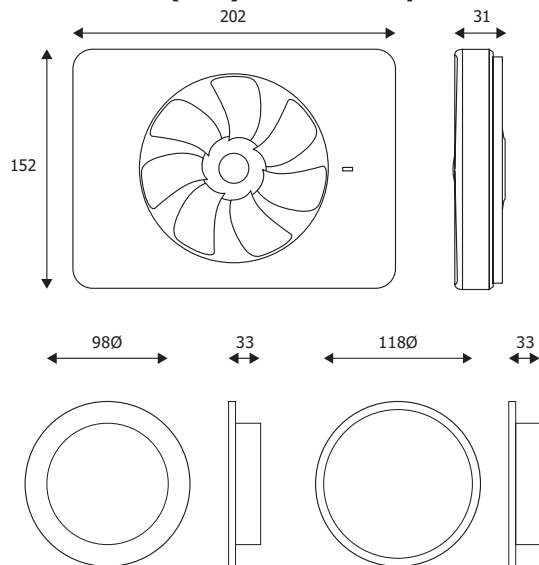
## Models

CODE	DESCRIPTION
MEI-1	Monsoon Energysaver IntelliSense Fan

## Functions

FUNCTIONS	INCLUDED
Built for continuous operation/long life	✓
Adjustable speed control	✓
Intelligent, self-adjusting humidity control	✓
Opportunity for fully surface-mounted installation	✓
Integrated safety switch	✓
Control panel for simple and exact adjustment	✓
Cleanable/easy access to duct	✓
LED light indicates the different functions of the fan	✓
Several different colour options	✓
Airing function	✓
Acceleration function	✓
Suitable for installation on an uneven surface	✓

## Dimensions (mm) - Fan & Adaptors



## Noise and Capacity data

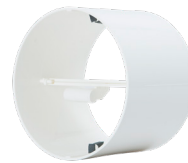
ADAPTER DIAMETER	MAX/SILENT	CAPACITY	SOUND PRESSURE LEVEL 3M
Ø99	Max	107m <sup>3</sup> /h	28dB(A)
Ø99	Silent	74m <sup>3</sup> /h	21dB(A)
Ø99	Constant	42m <sup>3</sup> /h	12dB(A)
Ø118	Max	134m <sup>3</sup> /h	29dB(A)
Ø118	Silent	96m <sup>3</sup> /h	21dB(A)
Ø118	Constant	55m <sup>3</sup> /h	13dB(A)

## Technical Data

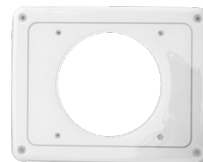
MAX POWER CONSUMPTION	PROTECTION RATING
5W	IP44

## Accessories

Back draft shutter: For use when set to intermittent



Wall plate: To avoid redecoration



**Call now to find out more: 01823 690 290**

[www.nationalventilation.co.uk](http://www.nationalventilation.co.uk) Email: [info@nvagroup.co.uk](mailto:info@nvagroup.co.uk)